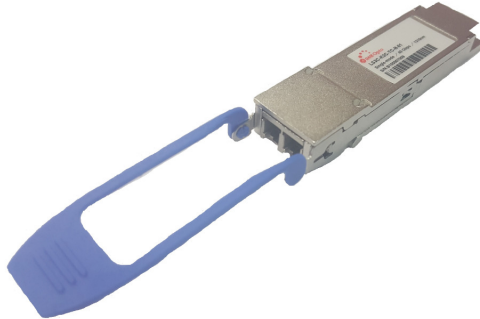




QSFP28 100/112Gbps Dual-Rate Transceiver

Compliance with 100GBASE-LR4 and 112GBASE-OTU4

1310nm LAN WDM wavelength for up to 20km reach



Description

APAC QSFP28 transceiver modules are designed for use in 100 Gigabit Ethernet links on up to 20 km of single mode fiber. They are compliant with the QSFP28 MSA, LR4 MSA, OTU4 and IEEE P802.3ba. Digital diagnostics functions are available via the I2C interface, as specified by the QSFP28 MSA.

Features

- Hot-pluggable QSFP28 form factor
- Power dissipation < 4.5W
- Single 3.3V power supply
- RoHS-6 Compliant (lead-free)
- Case temperature range of 0°C to +70°C
- 4x25 Gbps transmitter
- 4x25 Gbps retimed electrical interface
- Duplex LC receptacles
- I2C management interface
- Up to 20km reach for G.652 SMF

Application

- 100G Ethernet
- Data Center Interconnects
- OTU4

Ordering information

PART NUMBER	DISTANCE	TEMPERATURE	NOTE
LS3C-L3M-TC-N-EL	20 km	0°C to 70 °C	4X25Gbps



QSFP28 100/112Gbps Dual-Rate Transceiver

Compliance with 100GBASE-LR4 and 112GBASE-OTU4

1310nm LAN WDM wavelength for up to 20km reach

Absolute Maximum Ratings

Not necessarily applied together. Exceeding these values may cause permanent damage. Functional operation under these conditions is not implied.

PARAMETER	SYMBOL	MIN	MAX	UNITS	NOTE
Storage Temperature	T _s	-20	85	°C	
Power Supply Voltage	V _{cc}	-0.5	3.6	V	
Relative Humidity	RH	5	85	%	

Recommend Operating Condition

PARAMETER	SYMBOL	MIN	TYP.	MAX	UNITS	NOTE
Case Temperature	T _c	0		70	°C	
Power Supply Voltage	V _{cc}	3.14	3.3	3.46	V	
Power Dissipation				4.5	W	@3.3V



QSFP28 100/112Gbps Dual-Rate Transceiver

Compliance with 100GBASE-LR4 and 112GBASE-OTU4

1310nm LAN WDM wavelength for up to 20km reach

Transmitter Optical Characteristics

PARAMETER	SYMBOL	MIN	TYP.	MAX	UNITS	NOTE
Operating Data Rate, per lane	<i>DR</i>	25.78	---	27.95	Gbps	
Total Average Launch Power	<i>P_t</i>			10.5	dBm	
Average Launch Power, per Lane		0		4.5	dBm	
Extinction Ratio	<i>ER</i>	4			dB	
Optical Modulation Amplitude, per lane	<i>P_{oma}</i>	-1.3		4.5	dBm	
Transmitter Dispersion Penalty, each Lane	<i>TDP</i>			2.2	dB	
Center Wavelength	<i>L0</i>	1294.53	1295.56	1296.59	nm	
	<i>L1</i>	1299.02	1300.05	1301.09	nm	
	<i>L2</i>	1303.54	1304.58	1305.63	nm	
	<i>L3</i>	1308.09	1309.14	1310.19	nm	
Side Mode Suppression	<i>SMSR</i>	30			dB	
Transmitter Reflectance	<i>RT</i>			-12	dB	
Disable Output Power	<i>P_{o_off}</i>			-30	dBm	
Output Eye Mask Definition {X1, X2, X3, Y1, Y2, Y3}			{0.25, 0.4, 0.45, 0.25, 0.28, 0.4}			



QSFP28 100/112Gbps Dual-Rate Transceiver

Compliance with 100GBASE-LR4 and 112GBASE-OTU4

1310nm LAN WDM wavelength for up to 20km reach

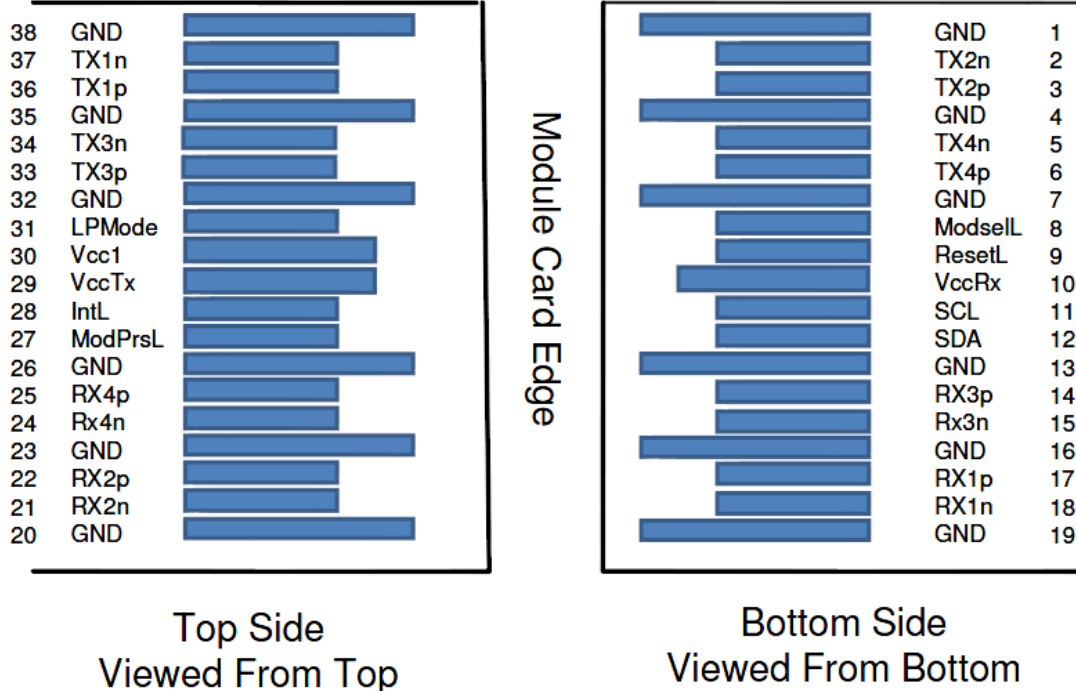
Receiver Optical characteristics

PARAMETER	SYMBOL	MIN	TYP.	MAX	UNITS	NOTE
Operating Data Rate, per lane	DR	25.78	---	27.95	Gbps	
Damage Threshold, per lane	Pth	3.5			dBm	
Receiver Sensitivity(OMA), per lane				-9.5	dBm	25.78Gbps, BER = 1×10^{-12}
Receiver Sensitivity(OMA), per lane				-9.0	dBm	27.95Gbps, BER = 1×10^{-12}
Receiver reflectance	RR			-26.0	dB	
LOS De-Assert	LOSD			-11	dBm	
LOS Assert	LOSA	-24		-12.5	dBm	
LOS Hysteresis			0.5		dB	

Electrical Characteristics

PARAMETER	SYMBOL	MIN	TYP.	MAX	UNITS	NOTE
Operating Data Rate, per lane	DR	25.78	---	27.95	Gbps	
LP Mode/Reset/ModselL	VIL	-0.3		0.8	V	
LP Mode/Reset/ModselL	VIH	2		Vcc+0.3	V	
ModPrsL/IntL	VOL	0		0.4	V	
ModPrsL/IntL	VOH	Vcc-0.5		Vcc+0.3	V	

Pad assignment and Description



PIN	LOGIC	SYMBOL	DESCRIPTION	PLUG SEQUENCE	NOTE
1		GND	Ground	1	Note 1
2	CML-I	Tx2n	Transmitter Inverted Data Input	3	
3	CML-I	Tx2p	Transmitter Non-Inverted Data Input	3	
4		GND	Ground	1	Note 1
5	CML-I	Tx4n	Transmitter Inverted Data Input	3	
6	CML-I	Tx4p	Transmitter Non-Inverted Data Input	3	
7		GND	Ground	1	Note 1
8	LVTTL-I	ModSelL	Module Select	3	
9	LVTTL-I	ResetL	Module Reset	3	
10		Vcc Rx	+3.3V Power Supply Receiver	2	Note 2
11	LVC MOS-I/O	SCL	2-wire serial interface clock	3	
12	LVC MOS-I/O	SDA	2-wire serial interface data	3	
13		GND	Ground	1	Note 2
14	CML-O	Rx3p	Receiver Non- Inverted Data Output	3	
15	CML-O	Rx3n	Receiver Inverted Data Output	3	
16		GND	Ground	1	Note 1
17	CML-O	Rx1p	Receiver Non- Inverted Data Output	3	
18	CML-O	Rx1n	Receiver Inverted Data Output	3	
19		GND	Ground	1	Note 1



QSFP28 100/112Gbps Dual-Rate Transceiver

Compliance with 100GBASE-LR4 and 112GBASE-OTU4

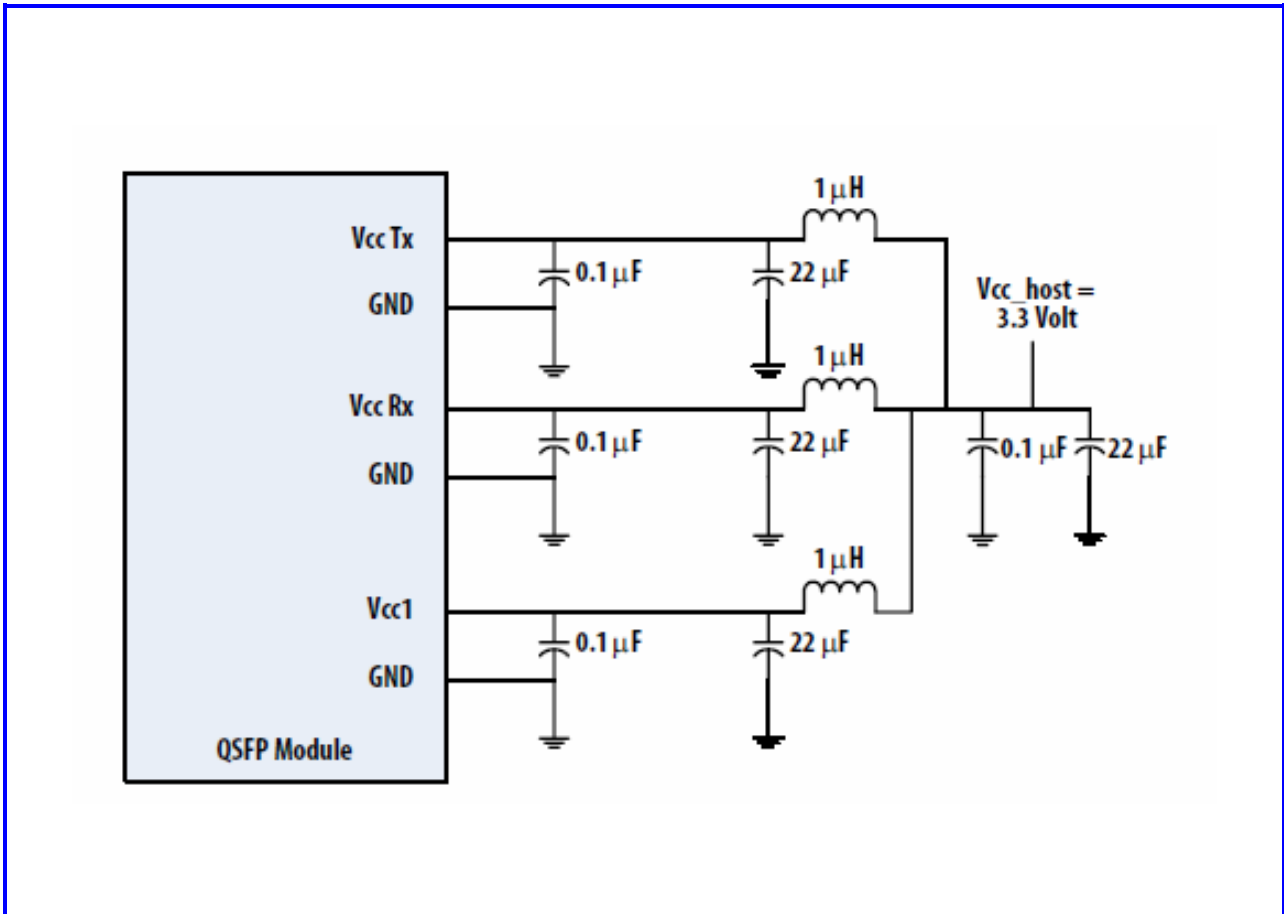
1310nm LAN WDM wavelength for up to 20km reach

20		GND	Ground	1	Note 1
21	CML-O	Rx2n	Receiver Inverted Data Output	3	
22	CML-O	Rx2P	Receiver Non- Inverted Data Output	3	
23		GND	Ground	1	Note 1
24	CML-O	Rx4n	Receiver Inverted Data Output	3	
25	CML-O	Rx4p	Receiver Non- Inverted Data Output	3	
26		GND	Ground	1	Note 1
27	LVTTL-O	ModPrsL	Module Present	3	
28	LVTTL-O	IntL	Interrupt	3	
29	LVC MOS-I/O	Vcc Tx	+3.3V Power Supply transmitter	2	Note 2
30		Vcc1	+3.3V Power Supply	2	Note 2
31	LVTTL-I	LPMODE	Low Power Mode	3	
32		GND	Ground	1	Note 1
33	CML-I	Tx3p	Transmitter Non- Inverted Data Input	3	
34	CML-I	Tx3n	Transmitter Inverted Data Input	3	
35		GND	Ground	1	Note 1
36	CML-I	Tx1p	Transmitter Non- Inverted Data Input	3	
37	CML-I	Tx1n	Transmitter Inverted Data Input	3	
38		GND	Ground	1	Note 1

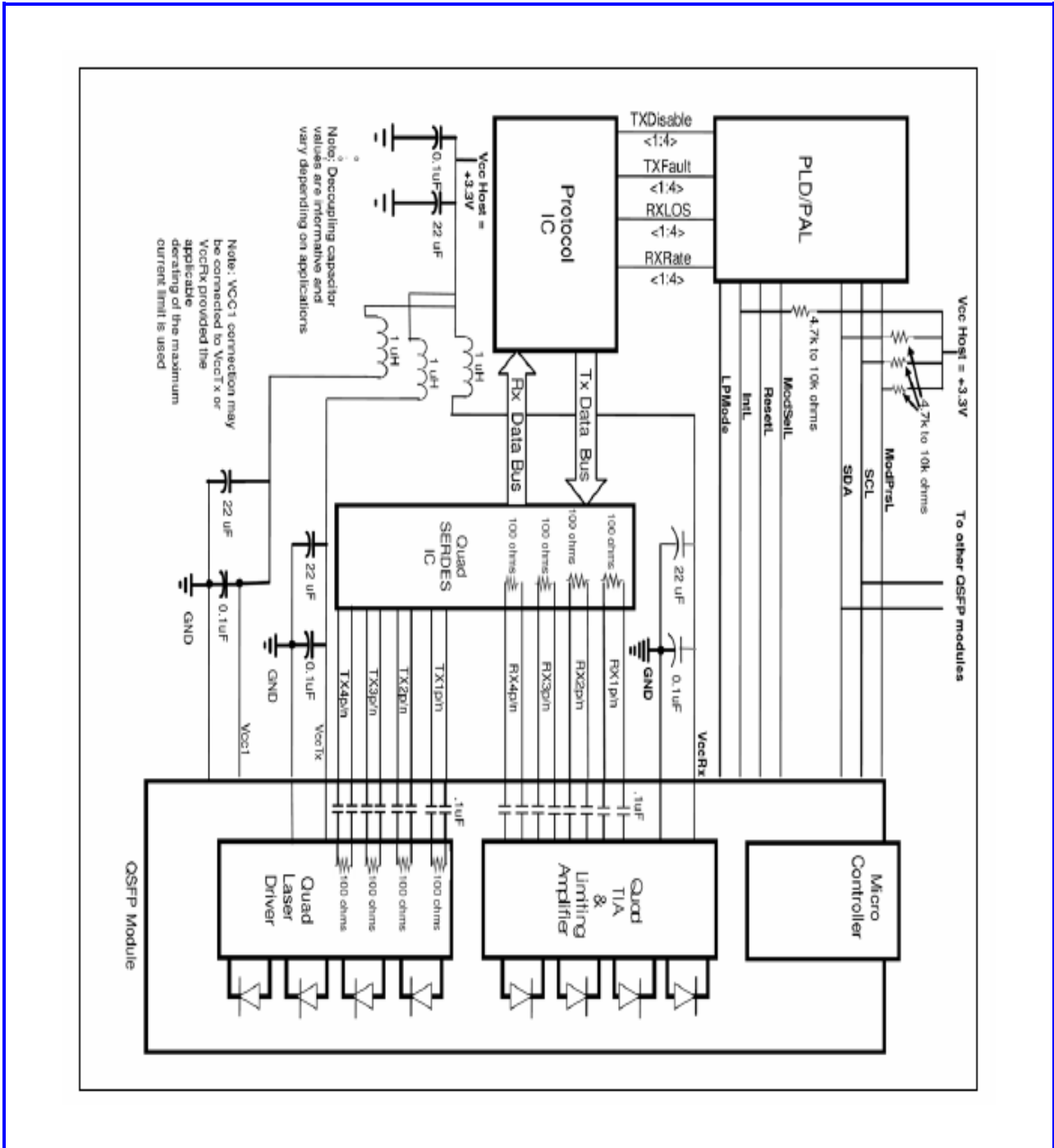
Note 1: GND is the symbol for signal and supply (power) common for the QSFP module. All are common within the QSFP+ module and all module voltages are referenced to this potential unless otherwise noted. Connect these directly to the host board signal-common ground plane.

Note 2: Vcc Rx, Vcc1 and Vcc Tx are the receiver and transmitter power supplies and shall be applied concurrently. Requirements defined for the host side of the Host Edge Card Connector are listed in Table. Recommended host board power supply filtering is shown in Host board power supply circuit. Vcc Rx Vcc1 and Vcc Tx may be internally connected within the QSFP module in any combination. The connector pins are each rated for a maximum current of 500 mA.

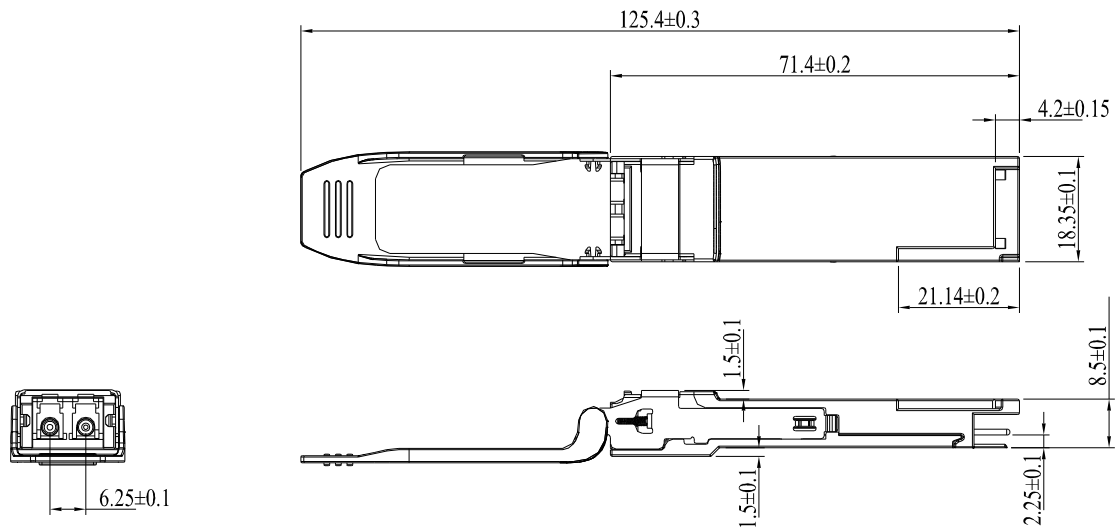
Host board power supply circuit



Recommended Interface circuit



Dimensions



Unit: mm

All Dimensions are ± 0.20 mm Unless Otherwise Specified

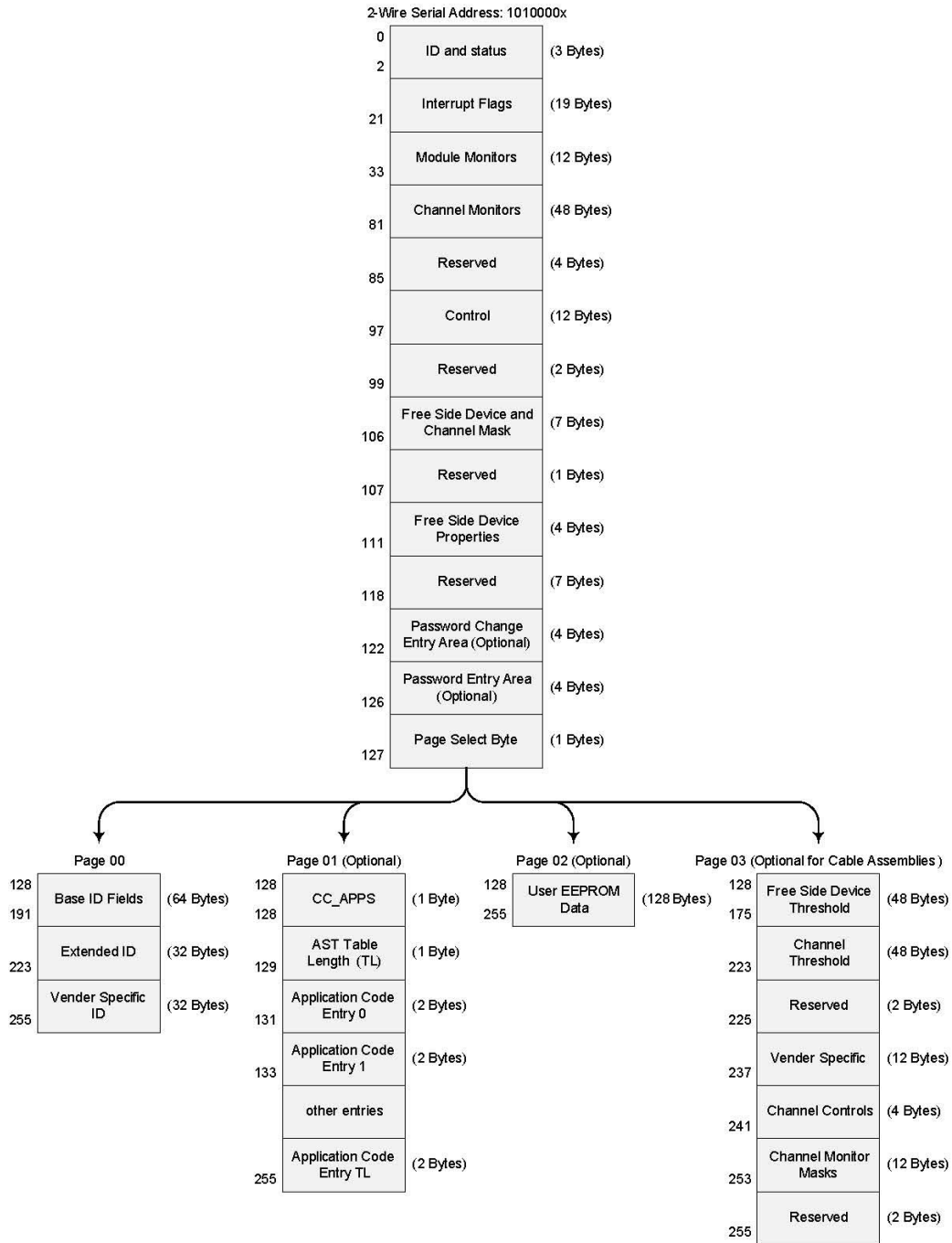


QSFP28 100/112Gbps Dual-Rate Transceiver

Compliance with 100GBASE-LR4 and 112GBASE-OTU4

1310nm LAN WDM wavelength for up to 20km reach

Memory Map





QSFP28 100/112Gbps Dual-Rate Transceiver

Compliance with 100GBASE-LR4 and 112GBASE-OTU4

1310nm LAN WDM wavelength for up to 20km reach

Eye Safety Mark

The optical transceiver is a class 1 laser product. Complies with FDA performance standards for laser products except for conformance with IEC 60825-1 Ed. 3., as described in Laser Notice No. 56, dated May 8, 2019. In order to meet laser safety requirements the transceiver shall be operated within the Absolute Maximum Ratings.

Caution

All adjustments have been done at the factory before the shipment of the devices. No maintenance and user serviceable part is required. Tampering with and modifying the performance of the device will result in voided product warranty.

Use of controls or adjustment or performance of procedures other than those specified herein may result in hazardous radiation exposure

Required Mark

Class 1 Laser Product, Complies with 21 CFR 1040.10 and 1040.11 except for conformance with IEC 60825-1 Ed. 3., as described in laser Notice No.56 dated May 8, 2019.

Note : All information contained in this document is subject to change without notice.