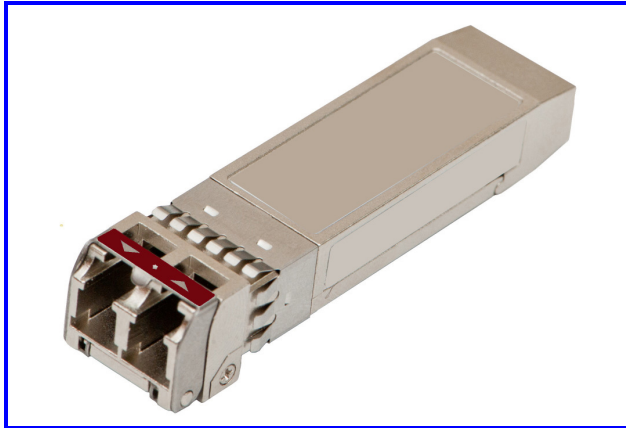




RoHS Compliant
CWDM 1470~1610nm Single-mode Transceiver
Small Form Pluggable (SFP+), with Diagnostic Monitoring
10G BASE-EW/ER Ethernet



Features

- Compliant with SFF8472 diagnostic monitoring interface Duplex LC connector
- Single power supply 3.3V
- Hot Pluggable
- Up to 40km transmission on SMF
- EML laser and PIN receiver
- Class 1 laser product complies with EN 60825-1
- Support CPRI line bit rate option 7: 9830.4 Mbit/s

Ordering Information

PART NUMBER	WAVELENGTH	VOLTAGE	TEMPERATURE
LE48-H3L-TC-NC-47	1471	3.3V	0°C to 70 °C
LE48-H3L-TC-NC-49	1491	3.3V	0°C to 70 °C
LE48-H3L-TC-NC-51	1511	3.3V	0°C to 70 °C
LE48-H3L-TC-NC-53	1531	3.3V	0°C to 70 °C
LE48-H3L-TC-NC-55	1551	3.3V	0°C to 70 °C
LE48-H3L-TC-NC-57	1571	3.3V	0°C to 70 °C
LE48-H3L-TC-NC-59	1591	3.3V	0°C to 70 °C
LE48-H3L-TC-NC-61	1611	3.3V	0°C to 70 °C
LE48-H3L-TI-NC-47	1471	3.3V	-40°C to 85 °C
LE48-H3L-TI-NC-49	1491	3.3V	-40°C to 85 °C
LE48-H3L-TI-NC-51	1511	3.3V	-40°C to 85 °C
LE48-H3L-TI-NC-53	1531	3.3V	-40°C to 85 °C
LE48-H3L-TI-NC-55	1551	3.3V	-40°C to 85 °C
LE48-H3L-TI-NC-57	1571	3.3V	-40°C to 85 °C
LE48-H3L-TI-NC-59	1591	3.3V	-40°C to 85 °C
LE48-H3L-TI-NC-61	1611	3.3V	-40°C to 85 °C



RoHS Compliant
CWDM 1470~1610nm Single-mode Transceiver
Small Form Pluggable (SFP+), with Diagnostic Monitoring
10G BASE-EW/ER Ethernet

Diagnostics

PARAMETER	RANGE	ACCURACY	UNIT	CALIBRATION
Temperature	-40 to 85	± 3	°C	
Voltage	3.14 to 3.46	± 0.1	V	
Bias Current	0 to 120	± 10%	mA	Internal
TX Power	-4.7 to +4	± 3	dB	
RX average Power	-16 to -1	± 3	dB	

Absolute Maximum Ratings

PARAMETER	SYMBOL	MIN	MAX	UNITS	NOTE
Storage Temperature	T_S	-40	85	°C	
Operating Relative Humidity	RH	0	85	%	
Supply Voltage	V_{cc}	0	3.6	V	
Input Voltage	V_{in}	0	V_{cc}	V	

Recommended Operating Conditions

PARAMETER	SYMBOL	MIN	MAX	UNITS	NOTE
Case operating Temperature	T_C	0	70	°C	LE48-H3L-TC-NC-xx
		-40	85		LE48-H3L-TI-NC-xx
Supply Voltage	V_{cc}	3.14	3.46	V	
Supply Current	$I_{TX} + I_{RX}$	390		mA	LE48-H3L-TC-NC-xx
		450			LE48-H3L-TI-NC-xx
Power Consumption@3.3V	P	1.3		W	LE48-H3L-TC-NC-xx
		1.5			LE48-H3L-TI-NC-xx



RoHS Compliant
CWDM 1470~1610nm Single-mode Transceiver
Small Form Pluggable (SFP+), with Diagnostic Monitoring
10G BASE-EW/ER Ethernet

Transmitter Electro-optical Characteristics

V_{cc} = 3.14 V to 3.46 V, Over Operating Case Temperature.

PARAMETER	SYMBOL	MIN	TYP.	MAX	UNITS	NOTE
Data Rate	<i>B</i>		10.3125		Gbps	
Output Optical Power	<i>P_{out}</i>	-4.7	---	+4.0	dBm	
Extinction Ratio	<i>ER</i>	8.2			dB	
Center Wavelength	λ_c	-6.5	X	+6.5	nm	X = specified center wavelength
Spectrum Width	$\Delta \lambda$			1	nm	
Side mode Suppression ratio	<i>SSR_{min}</i>	30			dB	
Transmitter and Dispersion Penalty	<i>TDP</i>			2	dB	
Relative Intensity Noise	<i>RIN</i>	---	---	-128	dB/Hz	
Optical Return Loss	<i>ORL</i>	21	---	---	dB	
Output Eye						Compliant with IEEE802.3ae
Differential Input Impedance	<i>Z_d</i>		100		Ω	
Differential Input Voltage Swing	<i>V_{DIFF}</i>	300		1000	mVpp	
Transmit Fault Output-Low	<i>TX_FAULT_L</i>	0.0	---	0.5	V	
Transmit Fault Output-High	<i>TX_FAULT_H</i>	2.4	---	<i>V_{CC}</i>	V	
TX_DISABLE Assert Time	<i>t_{off}</i>	---	---	100	μ s	
TX_DISABLE Negate Time	<i>t_{on}</i>	---	---	2	ms	
Tx_Fault assert for cooled module	<i>t_{fault}</i>	---	---	50	ms	
TX_DISABLE time to start reset	<i>t_{reset}</i>	10	---	---	μ s	



RoHS Compliant
CWDM 1470~1610nm Single-mode Transceiver
Small Form Pluggable (SFP+), with Diagnostic Monitoring
10G BASE-EW/ER Ethernet

Receiver Electro-optical Characteristics

$V_{CC} = 3.14 \text{ V to } 3.46 \text{ V}$, Over Operating Case Temperature.

PARAMETER	SYMBOL	MIN	TYP.	MAX	UNITS	NOTE
	L					
Data Rate	B		10.3125		Gbps	
Optical Input Power-maximum	P_{IN}	-1.0	---	---	dBm	BER < 10^{-12}
Receiver Sensitivity@10.3125Gbps	P_{IN}	---	---	-15.8	dBm	BER < 10^{-12}
Receiver Sensitivity(OMA)	P_{IN}	---	---	-14.1	dBm	BER < 10^{-12}
Stressed Receiver Sensitivity(OMA)	P_{IN}	---	---	-11.3	dBm	BER < 10^{-12}
Receiver Reflectance	Ref	---	---	-26	dB	
Operating Center Wavelength	λ_C	1460	---	1620	nm	
Loss of Signal-Asserted	P_A	-30	---	---	dBm	
Loss of Signal-Deasserted	P_D	---	---	-18	dBm	
Differential Output Impedance	Z_d	---	100	---	Ω	
Differential Output Voltage	V_{DIFF}	300	---	800	mVpp	
Receiver Loss of Signal Output Voltage-Low	RX_LO S_L	0	---	0.5	V	
Receiver Loss of Signal Output Voltage-High	RX_LO S_H	2.4	---	V_{CC}	V	
Receiver Loss of Signal Assert Time (off to on)	t_{A,RX_LOS}	---	---	100	μs	
Receiver Loss of Signal Assert Time (on to off)	t_{D,RX_LOS}	---	---	100	μs	

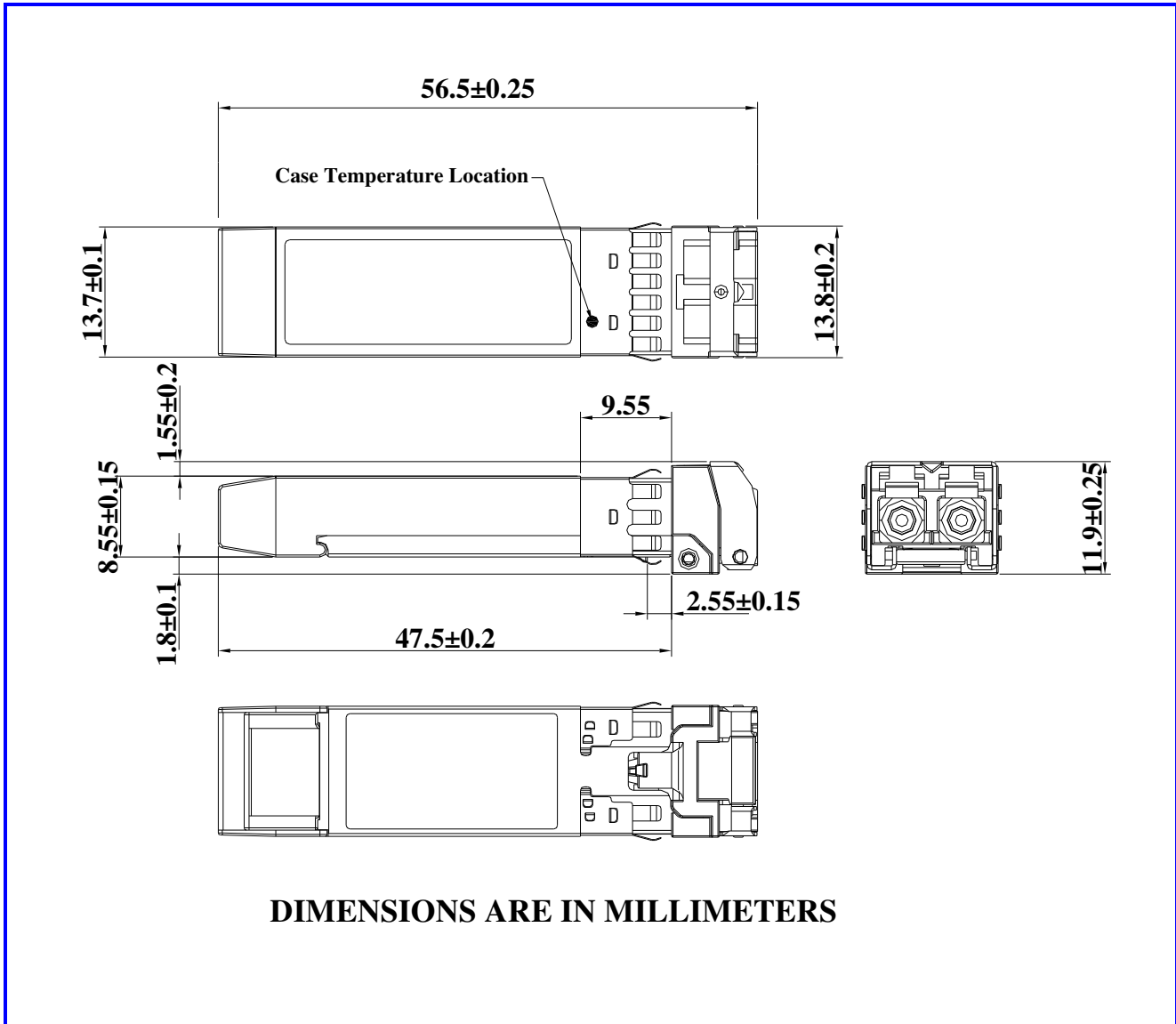
Timing Parameters

PARAMETER	SYMBOL	MIN	TYP.	MAX	UNITS	NOTE
Time to initialize	t_{start_up}			10	s	



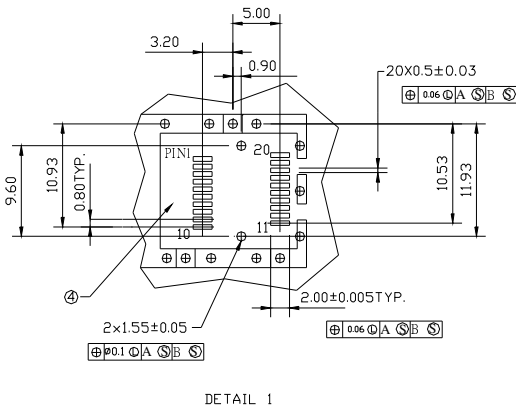
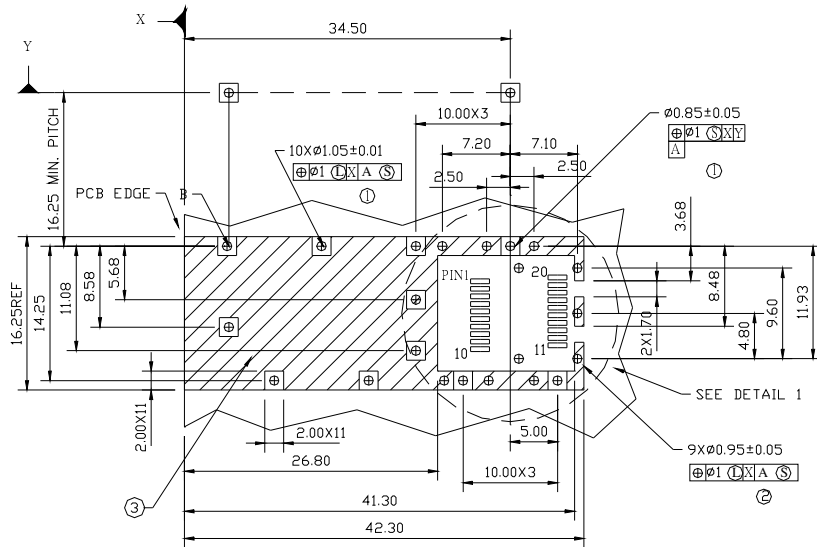
RoHS Compliant
CWDM 1470~1610nm Single-mode Transceiver
Small Form Pluggable (SFP+), with Diagnostic Monitoring
10G BASE-EW/ER Ethernet

Dimensions



The bail color is red.

SFP host board mechanical layout



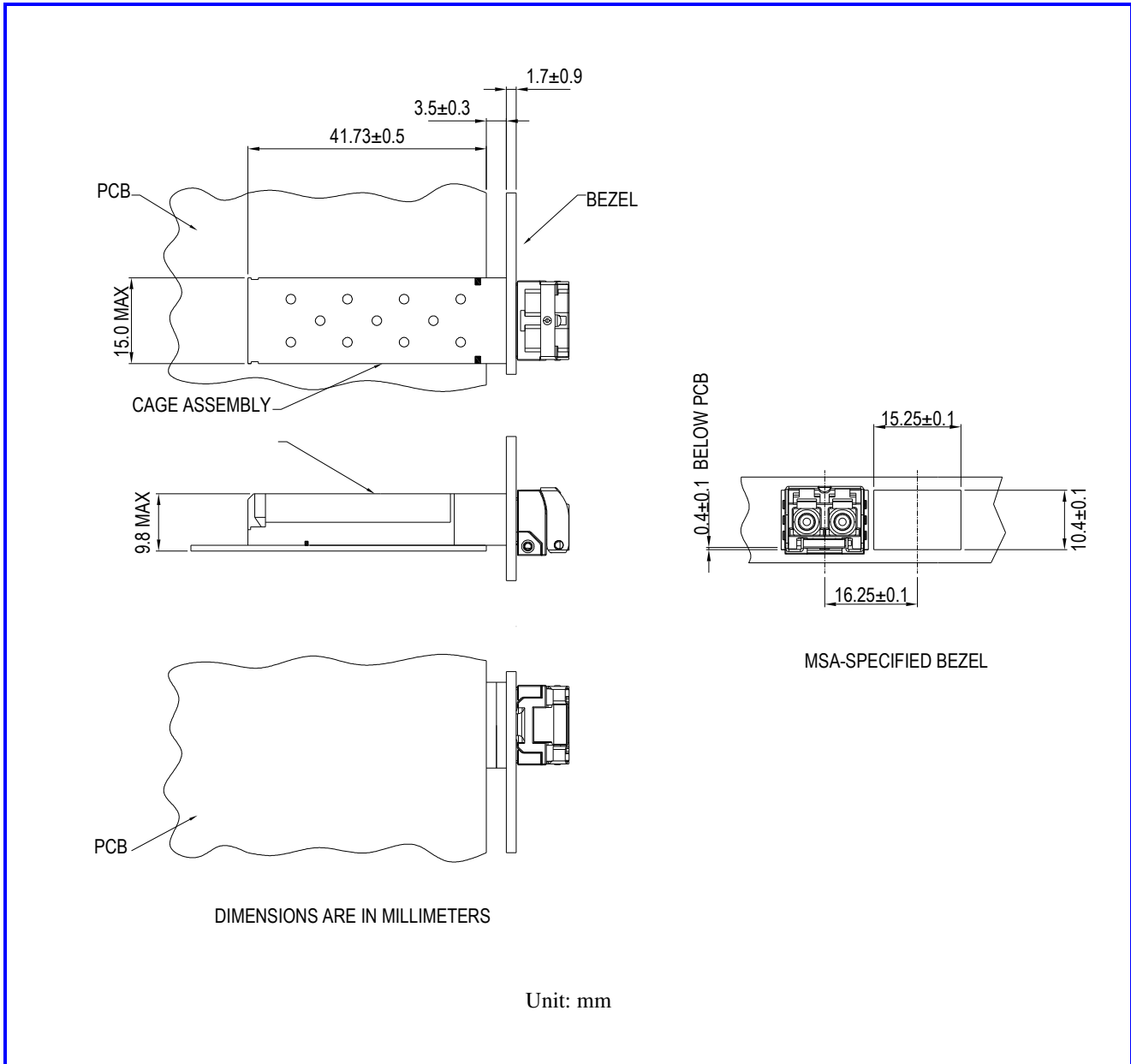
LEGEND

- 1.PADS AND VIAS ARE CHASSIS GROUND
- 2.THROUGH HOLES, PLATING OPTIONAL
- 3.HATCHED AREA DENOTES COMPONENT AND TRACE KEEPOUT(EXCEPT CHASSIS GROUND)
- 4.AREA DENOTES COMPONENT KEEPOUT (TRACES ALLOWED)

DIMENSIONS ARE IN MILLIMETERS

Unit: mm

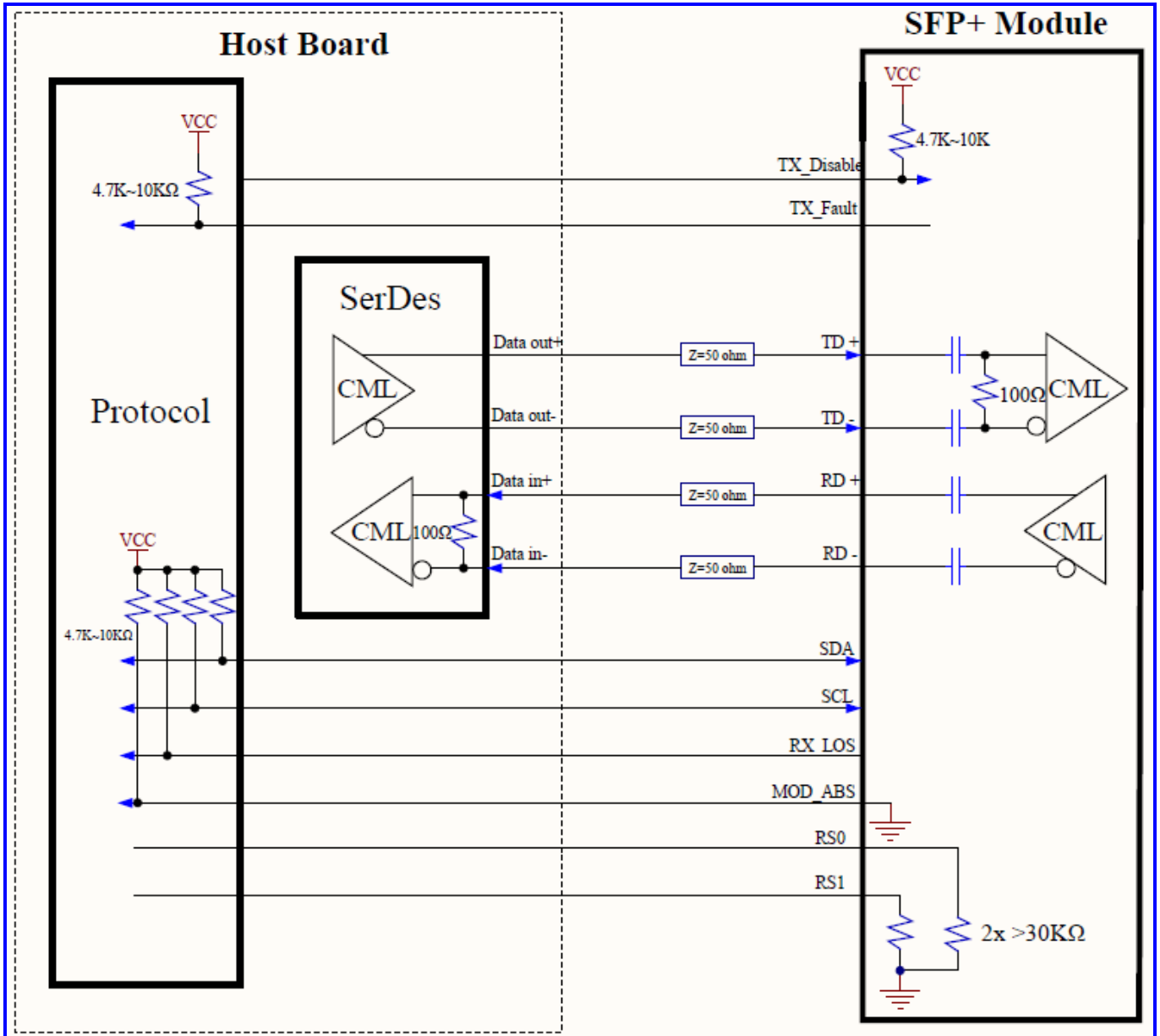
Assembly Drawing





RoHS Compliant
 CWDM 1470~1610nm Single-mode Transceiver
 Small Form Pluggable (SFP+), with Diagnostic Monitoring
 10G BASE-EW/ER Ethernet

Recommended Interface Circuit

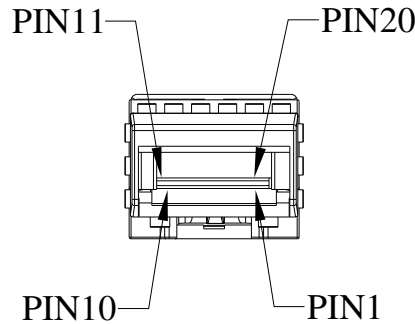




RoHS Compliant
CWDM 1470~1610nm Single-mode Transceiver
Small Form Pluggable (SFP+), with Diagnostic Monitoring
10G BASE-EW/ER Ethernet

Pin Assignment

Pin-Out



Pin	Signal Name	Description
1	T_{GND}	Transmit Ground
2	TX_FAULT	Transmit Fault
3	$TX_DISABLE$	Transmit Disable
4	$MOD_DEF (2)$	SDA Serial Data Signal
5	$MOD_DEF (1)$	SCL Serial Clock Signal
6	$MOD_DEF (0)$	TTL Low
7	$RS0$	RX Rate Select, No function implemented
8	RX_LOS	Receiver Loss of Signal, TTL High, open collector
9	$RS1$	TX Rate Select, No function implemented
10	R_{GND}	Receiver Ground
11	R_{GND}	Receiver Ground
12	$RX-$	Receive Data out Bar, ac coupled
13	$RX+$	Receive Data out, ac coupled
14	R_{GND}	Receiver Ground
15	V_{CCR}	Receiver Power Supply
16	V_{CCT}	Transmitter Power Supply
17	T_{GND}	Transmitter Ground
18	$TX+$	Transmit Data in, ac coupled
19	$TX-$	Transmit Data in Bar, ac coupled
20	T_{GND}	Transmitter Ground

Note : All information contained in this document is subject to change without notice.