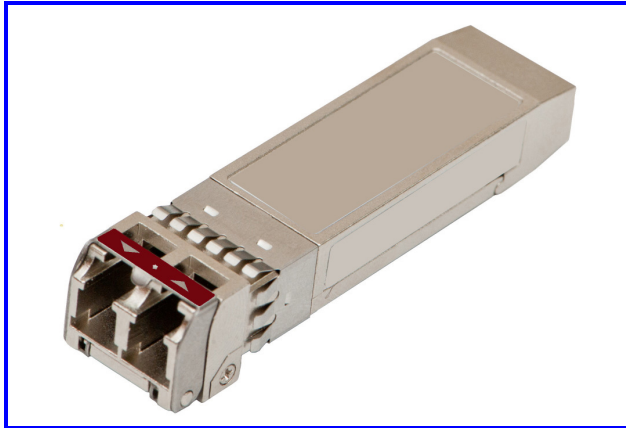




**RoHS Compliant**  
**CWDM 1470~1610nm Single-mode Transceiver**  
**Small Form Pluggable (SFP+), with Diagnostic Monitoring**  
**10G BASE-EW/ER Ethernet**



### Features

- Compliant with SFF8472 diagnostic monitoring interface Duplex LC connector
- Single power supply 3.3V
- Hot Pluggable
- Up to 40km transmission on SMF
- EML laser and PIN receiver
- Class 1 laser product complies with EN 60825-1
- Support CPRI line bit rate option 7: 9830.4 Mbit/s

### Ordering Information

PART NUMBER	WAVELENGTH	VOLTAGE	TEMPERATURE
LE48-H3L-TC-NC-47	1471	3.3V	0°C to 70 °C
LE48-H3L-TC-NC-49	1491	3.3V	0°C to 70 °C
LE48-H3L-TC-NC-51	1511	3.3V	0°C to 70 °C
LE48-H3L-TC-NC-53	1531	3.3V	0°C to 70 °C
LE48-H3L-TC-NC-55	1551	3.3V	0°C to 70 °C
LE48-H3L-TC-NC-57	1571	3.3V	0°C to 70 °C
LE48-H3L-TC-NC-59	1591	3.3V	0°C to 70 °C
LE48-H3L-TC-NC-61	1611	3.3V	0°C to 70 °C
LE48-H3L-TI-NC-47	1471	3.3V	-40°C to 85 °C
LE48-H3L-TI-NC-49	1491	3.3V	-40°C to 85 °C
LE48-H3L-TI-NC-51	1511	3.3V	-40°C to 85 °C
LE48-H3L-TI-NC-53	1531	3.3V	-40°C to 85 °C
LE48-H3L-TI-NC-55	1551	3.3V	-40°C to 85 °C
LE48-H3L-TI-NC-57	1571	3.3V	-40°C to 85 °C
LE48-H3L-TI-NC-59	1591	3.3V	-40°C to 85 °C
LE48-H3L-TI-NC-61	1611	3.3V	-40°C to 85 °C



**RoHS Compliant**  
**CWDM 1470~1610nm Single-mode Transceiver**  
**Small Form Pluggable (SFP+), with Diagnostic Monitoring**  
**10G BASE-EW/ER Ethernet**

**Diagnostics**

PARAMETER	RANGE	ACCURACY	UNIT	CALIBRATION
Temperature	-40 to 85	± 3	°C	
Voltage	3.14 to 3.46	± 0.1	V	
Bias Current	0 to 120	± 10%	mA	Internal
TX Power	-4.7 to +4	± 3	dB	
RX average Power	-16 to -1	± 3	dB	

**Absolute Maximum Ratings**

PARAMETER	SYMBOL	MIN	MAX	UNITS	NOTE
Storage Temperature	$T_S$	-40	85	°C	
Operating Relative Humidity	$RH$	0	85	%	
Supply Voltage	$V_{cc}$	0	3.6	V	
Input Voltage	$V_{in}$	0	$V_{cc}$	V	

**Recommended Operating Conditions**

PARAMETER	SYMBOL	MIN	MAX	UNITS	NOTE
Case operating Temperature	$T_C$	0	70	°C	LE48-H3L-TC-NC-xx
		-40	85		LE48-H3L-TI-NC-xx
Supply Voltage	$V_{cc}$	3.14	3.46	V	
Supply Current	$I_{TX} + I_{RX}$			mA	LE48-H3L-TC-NC-xx
					LE48-H3L-TI-NC-xx
Power Consumption@3.3V	$P$			W	LE48-H3L-TC-NC-xx
					LE48-H3L-TI-NC-xx



**RoHS Compliant**  
**CWDM 1470~1610nm Single-mode Transceiver**  
**Small Form Pluggable (SFP+), with Diagnostic Monitoring**  
**10G BASE-EW/ER Ethernet**

**Transmitter Electro-optical Characteristics**

**V<sub>cc</sub> = 3.14 V to 3.46 V, Over Operating Case Temperature.**

PARAMETER	SYMBOL	MIN	TYP.	MAX	UNITS	NOTE
Data Rate	<i>B</i>		10.3125		Gbps	
Output Optical Power	<i>P<sub>out</sub></i>	-4.7	---	+4.0	dBm	
Extinction Ratio	<i>ER</i>	8.2			dB	
Center Wavelength	$\lambda_c$	-6.5	X	+6.5	nm	X = specified center wavelength
Spectrum Width	$\Delta \lambda$			1	nm	
Side mode Suppression ratio	<i>SSR<sub>min</sub></i>	30			dB	
Transmitter and Dispersion Penalty	<i>TDP</i>			2	dB	
Relative Intensity Noise	<i>RIN</i>	---	---	-128	dB/Hz	
Optical Return Loss	<i>ORL</i>	21	---	---	dB	
Output Eye						Compliant with IEEE802.3ae
Differential Input Impedance	<i>Z<sub>d</sub></i>		100		$\Omega$	
Differential Input Voltage Swing	<i>V<sub>DIFF</sub></i>	300		1000	mVpp	
Transmit Fault Output-Low	<i>TX_FAULT<sub>L</sub></i>	0.0	---	0.5	V	
Transmit Fault Output-High	<i>TX_FAULT<sub>H</sub></i>	2.4	---	<i>V<sub>CC</sub></i>	V	
TX_DISABLE Assert Time	<i>t<sub>off</sub></i>	---	---	100	$\mu$ s	
TX_DISABLE Negate Time	<i>t<sub>on</sub></i>	---	---	2	ms	
Tx_Fault assert for cooled module	<i>t<sub>fault</sub></i>	---	---	50	ms	
TX_DISABLE time to start reset	<i>t<sub>reset</sub></i>	10	---	---	$\mu$ s	



**RoHS Compliant**  
**CWDM 1470~1610nm Single-mode Transceiver**  
**Small Form Pluggable (SFP+), with Diagnostic Monitoring**  
**10G BASE-EW/ER Ethernet**

**Receiver Electro-optical Characteristics**

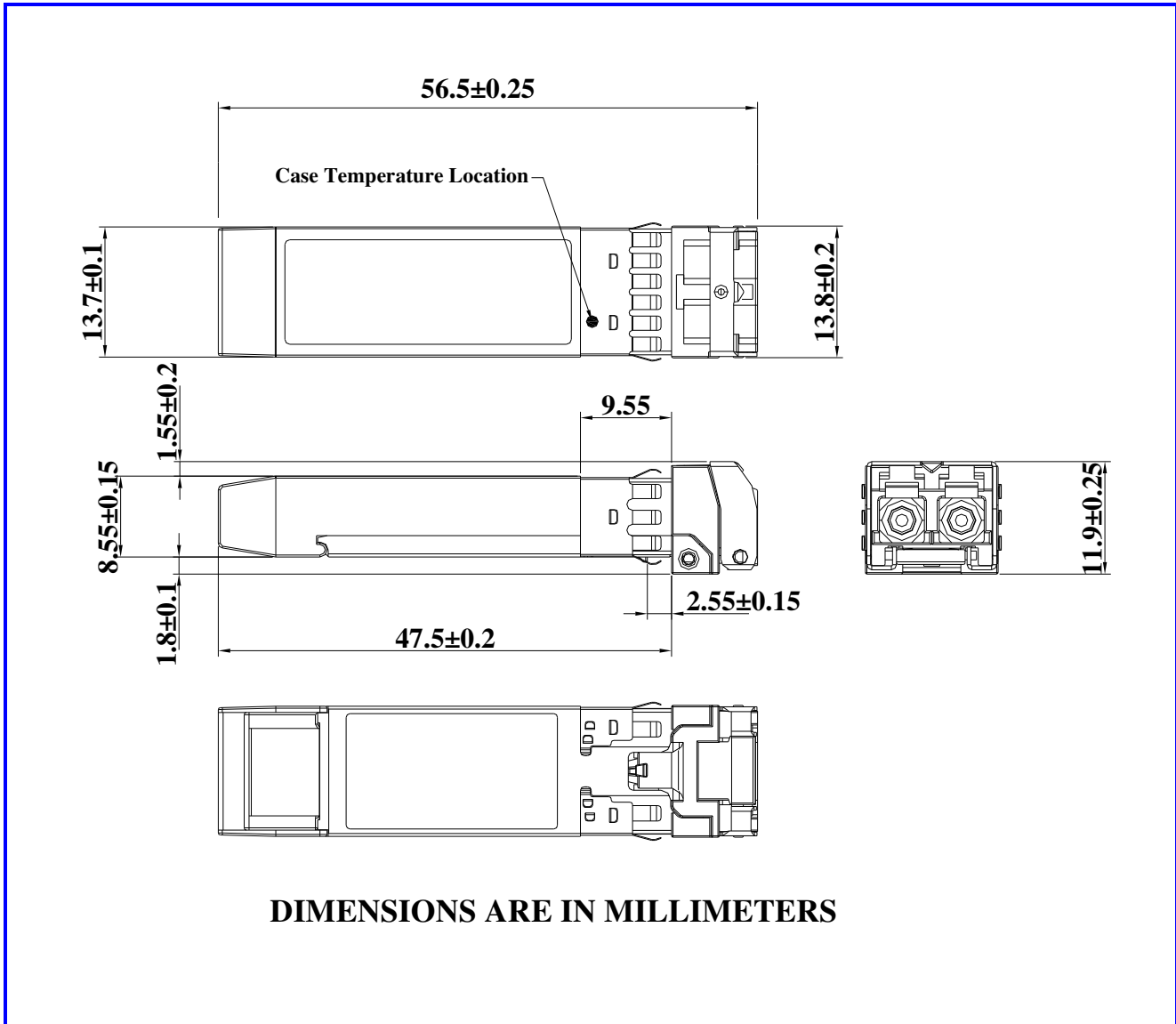
$V_{CC} = 3.14\text{ V to } 3.46\text{ V}$ , Over Operating Case Temperature.

PARAMETER	SYMBOL	MIN	TYP.	MAX	UNITS	NOTE
	<b>L</b>					
Data Rate	$B$		10.3125		Gbps	
Optical Input Power-maximum	$P_{IN}$	-1.0	---	---	dBm	BER < $10^{-12}$
Receiver Sensitivity@10.3125Gbps	$P_{IN}$	---	---	-15.8	dBm	BER < $10^{-12}$
Receiver Sensitivity(OMA)	$P_{IN}$	---	---	-14.1	dBm	BER < $10^{-12}$
Stressed Receiver Sensitivity(OMA)	$P_{IN}$	---	---	-11.3	dBm	BER < $10^{-12}$
Receiver Reflectance	$Ref$	---	---	-26	dB	
Operating Center Wavelength	$\lambda_C$	1460	---	1620	nm	
Loss of Signal-Asserted	$P_A$	-30	---	---	dBm	
Loss of Signal-Deasserted	$P_D$	---	---	-18	dBm	
Differential Output Impedance	$Z_d$	---	100	---	$\Omega$	
Differential Output Voltage	$V_{DIFF}$	300	---	800	mVpp	
Receiver Loss of Signal Output Voltage-Low	$RX\_LO$ $S_L$	0	---	0.5	V	
Receiver Loss of Signal Output Voltage-High	$RX\_LO$ $S_H$	2.4	---	$V_{CC}$	V	
Receiver Loss of Signal Assert Time (off to on)	$t_{A,RX\_LOS}$	---	---	100	$\mu s$	
Receiver Loss of Signal Assert Time (on to off)	$t_{D,RX\_LOS}$	---	---	100	$\mu s$	

**Timing Parameters**

PARAMETER	SYMBOL	MIN	TYP.	MAX	UNITS	NOTE
Time to initialize	$t_{start\_up}$			10	s	

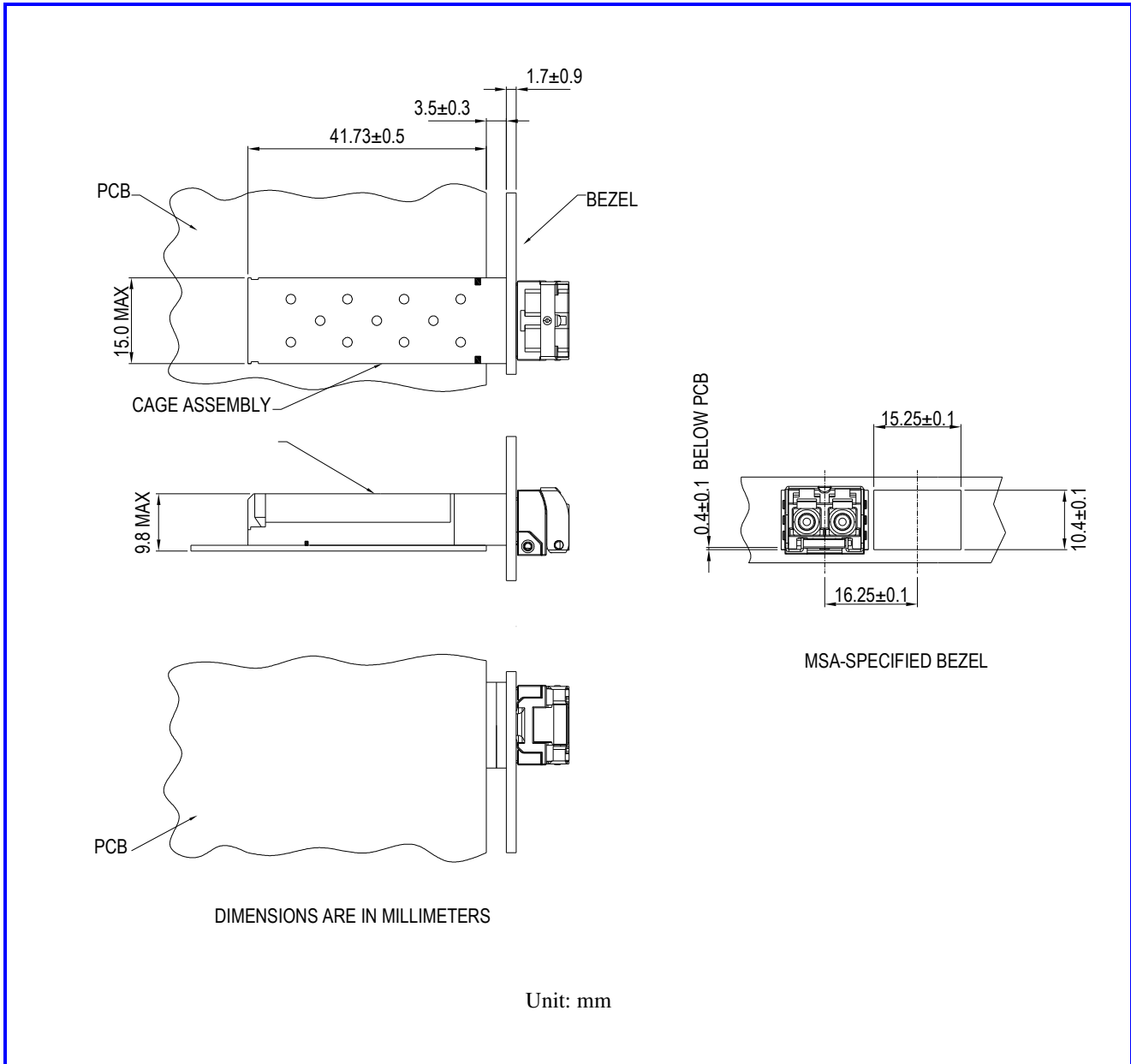
### Dimensions



The bail color is red.



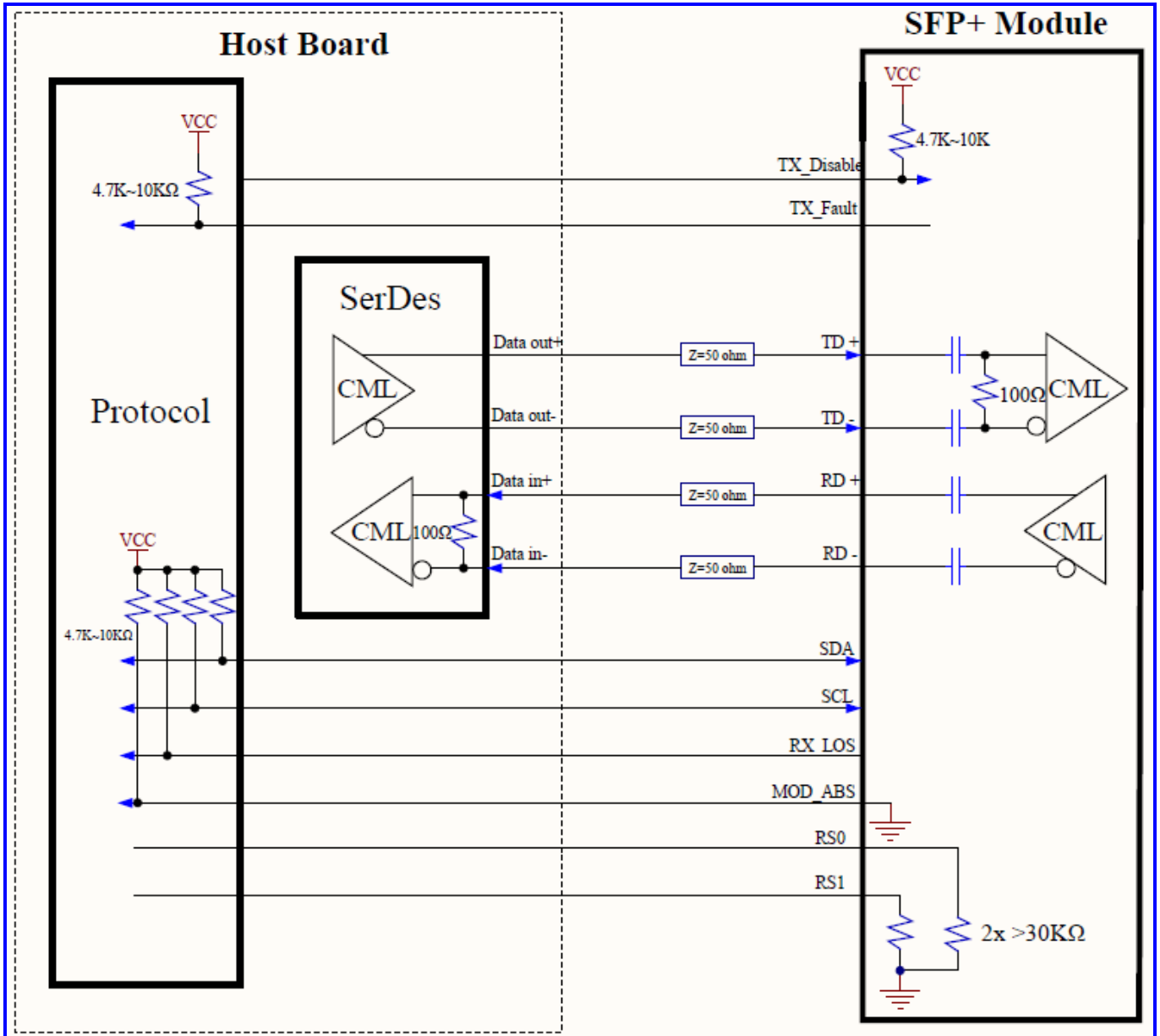
**Assembly Drawing**





RoHS Compliant  
 CWDM 1470~1610nm Single-mode Transceiver  
 Small Form Pluggable (SFP+), with Diagnostic Monitoring  
 10G BASE-EW/ER Ethernet

Recommended Interface Circuit



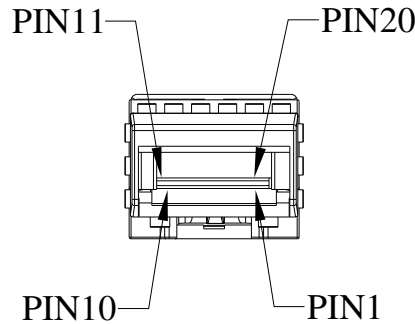




**RoHS Compliant**  
**CWDM 1470~1610nm Single-mode Transceiver**  
**Small Form Pluggable (SFP+), with Diagnostic Monitoring**  
**10G BASE-EW/ER Ethernet**

**Pin Assignment**

Pin-Out



Pin	Signal Name	Description
1	$T_{GND}$	Transmit Ground
2	$TX\_FAULT$	Transmit Fault
3	$TX\_DISABLE$	Transmit Disable
4	$MOD\_DEF (2)$	SDA Serial Data Signal
5	$MOD\_DEF (1)$	SCL Serial Clock Signal
6	$MOD\_DEF (0)$	TTL Low
7	$RS0$	RX Rate Select, No function implemented
8	$RX\_LOS$	Receiver Loss of Signal, TTL High, open collector
9	$RS1$	TX Rate Select, No function implemented
10	$R_{GND}$	Receiver Ground
11	$R_{GND}$	Receiver Ground
12	$RX-$	Receive Data out Bar, ac coupled
13	$RX+$	Receive Data out, ac coupled
14	$R_{GND}$	Receiver Ground
15	$V_{CCR}$	Receiver Power Supply
16	$V_{CCT}$	Transmitter Power Supply
17	$T_{GND}$	Transmitter Ground
18	$TX+$	Transmit Data in, ac coupled
19	$TX-$	Transmit Data in Bar, ac coupled
20	$T_{GND}$	Transmitter Ground

Note : All information contained in this document is subject to change without notice.