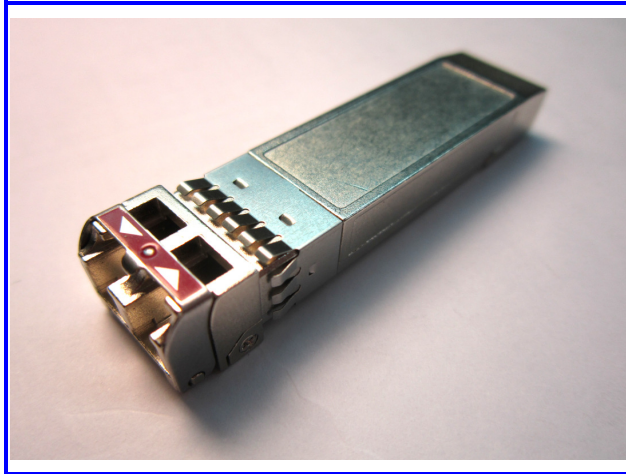




**RoHS compliant**  
**Single-mode , SFP28 LC Duplex Connector**  
**25G Ethernet/CPRI**  
**SFP28 O-Band DWDM 40km**



### Features

- Compliant with SFP+ MSA SFF-8431
- Compliant with SFF8472 diagnostic monitoring interface Duplex LC connector
- Single power supply 3.3V
- EML laser and APD receiver
- Link distance up to 40km over single mode fiber
- Support CPRI line bit rate option 10: 24330.24 Mbit/s
- Class 1 laser product complies with EN 60825-1
- Internal transmitter/receiver CDR
- Hot Pluggable

### Ordering Information

PART NUMBER	WAVELENGTH	TEMPERATURE	Distance
LE38-J3L-TC-N-EA	1290.54 nm	0°C to 70 °C	40km
LE38-J3L-TC-N-EB	1291.10 nm	0°C to 70 °C	40km
LE38-J3L-TC-N-EC	1291.65 nm	0°C to 70 °C	40km
LE38-J3L-TC-N-ED	1295.00 nm	0°C to 70 °C	40km
LE38-J3L-TC-N-EE	1295.56 nm	0°C to 70 °C	40km
LE38-J3L-TC-N-EF	1296.12 nm	0°C to 70 °C	40km
LE38-J3L-TC-N-EG	1299.49 nm	0°C to 70 °C	40km
LE38-J3L-TC-N-EH	1300.05 nm	0°C to 70 °C	40km
LE38-J3L-TC-N-EI	1300.62 nm	0°C to 70 °C	40km
LE38-J3L-TC-N-EJ	1304.01 nm	0°C to 70 °C	40km
LE38-J3L-TC-N-EK	1304.58 nm	0°C to 70 °C	40km
LE38-J3L-TC-N-EL	1305.15 nm	0°C to 70 °C	40km
LE38-J3L-TI-N-EA	1290.54 nm	-40°C to 85 °C	40km
LE38-J3L-TI-N-EB	1291.10 nm	-40°C to 85 °C	40km
LE38-J3L-TI-N-EC	1291.65 nm	-40°C to 85 °C	40km



**RoHS compliant**  
**Single-mode , SFP28 LC Duplex Connector**  
**25G Ethernet/CPRI**  
**SFP28 O-Band DWDM 40km**

---

LE38-J3L-TI-N-ED	1295.00 nm	-40°C to 85 °C	40km
LE38-J3L-TI-N-EE	1295.56 nm	-40°C to 85 °C	40km
LE38-J3L-TI-N-EF	1296.12 nm	-40°C to 85 °C	40km
LE38-J3L-TI-N-EG	1299.49 nm	-40°C to 85 °C	40km
LE38-J3L-TI-N-EH	1300.05 nm	-40°C to 85 °C	40km
LE38-J3L-TI-N-EI	1300.62 nm	-40°C to 85 °C	40km
LE38-J3L-TI-N-EJ	1304.01 nm	-40°C to 85 °C	40km
LE38-J3L-TI-N-EK	1304.58 nm	-40°C to 85 °C	40km
LE38-J3L-TI-N-EL	1305.15 nm	-40°C to 85 °C	40km

**Note: Attenuation of 0.35 dB/km @1310nm is used for the link length calculations**



RoHS compliant  
 Single-mode , SFP28 LC Duplex Connector  
 25G Ethernet/CPRI  
 SFP28 O-Band DWDM 40km

### Diagnostics

PARAMETER	RANGE	ACCURACY	UNIT	CALIBRATION
Temperature	-40 to 85	± 3	°C	
Voltage	3.14to 3.46	± 0.1	V	
Bias Current	0 to 120	± 10%	mA	Internal
TX Power	0 to +5	± 3	dB	
RX average Power	-5 to -20	± 3	dB	

### Absolute Maximum Ratings

PARAMETER	SYMBOL	MIN	MAX	UNITS	NOTE
Storage Temperature	$T_s$	-40	+85	°C	
Supply Voltage	$V_{cc}$	-0.4	3.6	V	
Operating Relative Humidity	$RH$	5	85	%	

### Recommended Operating Conditions

PARAMETER	SYMBOL	MIN	MAX	UNITS	NOTE
Case operating Temperature	$T_c$	0	70	°C	LE38-J3L-TC-N-Ex
		-40	85		LE38-J3L-TI-N-Ex
Signaling speed variation form nominal		-100	+100	ppm	
Supply Voltage	$V_{cc}$	3.14	3.46	V	
Supply Current	$I_{TX} + I_{RX}$		545	mA	LE38-J3L-TC-N-Ex
			666		LE38-J3L-TI-N-Ex
Power Consumption	$P$	---	1.8	W	LE38-J3L-TC-N-Ex
			2.2		LE38-J3L-TI-N-Ex



RoHS compliant  
 Single-mode , SFP28 LC Duplex Connector  
 25G Ethernet/CPRI  
 SFP28 O-Band DWDM 40km

**Transmitter Electro-optical Characteristics**

$V_{cc} = 3.14 \text{ V to } 3.46 \text{ V}$  ,  $T_c = -40^\circ \text{C to } 85^\circ \text{C}$

PARAMETER	SYMBOL	MIN	TYP.	MAX	UNITS	NOTE
Data Rate	$B$	24	25.78125	26.5	Gbps	
Average Optical Power	$P_{out}$	+0	---	+5	dBm	
Extinction Ratio	$ER$	6	---	---	dB	
Central Wavelength -BOL		X-50	X	X+50	pm	X = specified center wavelength
Central Wavelength -EOL		X-100	---	X+100	pm	
Transmitter eye mask definition {X1, X2, X3, Y1, Y2, Y3}			{0.31, 0.4, 0.45, 0.34, 0.38, 0.4}			Hit ratio $5 \times 10^{-5}$ hits per sample.
Spectral Width (-20dB)	$\Delta\lambda$	---	---	1	nm	
Side Mode Suppression Ratio	$SMSR$	30			dB	
Max. $P_{out}$ TX-DISABLE Asserted	$P_{OFF}$	---	---	-45	dBm	
Transmitter and dispersion penalty	$TDP$			1	dB	
Differential Input Voltage	$V_{DIFF}$	200		1000	mV	
Transmit Fault Output-Low	$TX\_FAULT_L$	0.0	---	0.5	V	
Transmit Fault Output-High	$TX\_FAULT_H$	2.4	---	$V_{CC}$	V	
TX_DISABLE Assert Time	$t_{off}$	---	---	100	$\mu s$	
TX_DISABLE Negate Time	$t_{on}$	---	---	2	ms	
Time to initialize, include reset of TX_FAULT	$t_{init}$	---	---	300	ms	
Tx_Fault assert for cooled module	$t_{fault}$	---	---	50	ms	
TX_DISABLE time to start reset	$t_{reset}$	10	---	---	$\mu s$	



RoHS compliant  
Single-mode , SFP28 LC Duplex Connector  
25G Ethernet/CPRI  
SFP28 O-Band DWDM 40km

### Receiver Electro-optical Characteristics

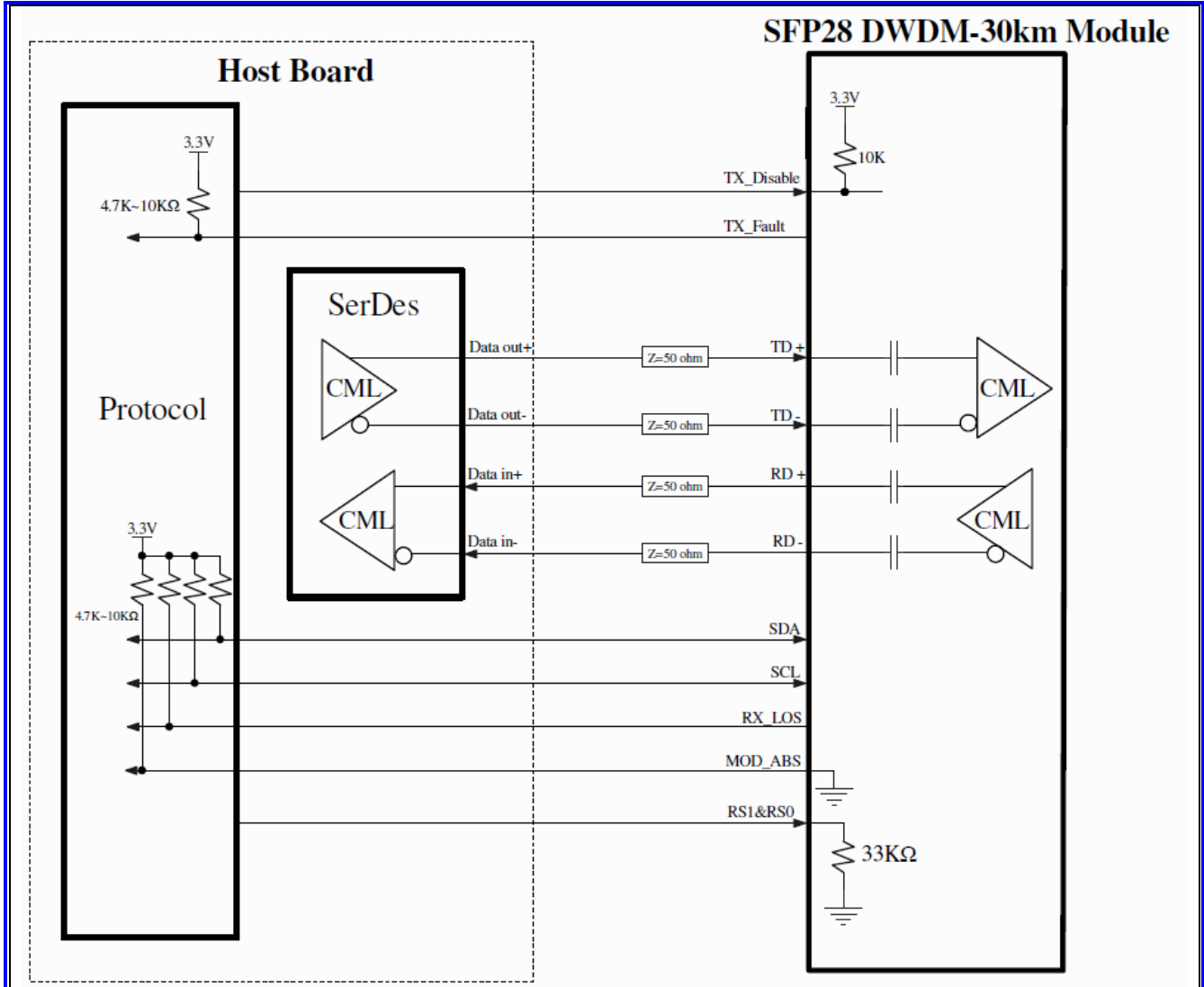
$V_{CC} = 3.14V$  to  $3.46 V$ ,  $T_c = -40^{\circ}C$  to  $85^{\circ}C$

PARAMETER	SYMBOL	MIN	TYP.	MAX	UNITS	NOTE
Data Rate	$B$	24	25.78125	26.5	Gbps	
Rx Sensitivity@25.78Gbps	$P_{INI}$	-20	---	-5	dBm	@BER=5E-5
Operating Center Wavelength	$\lambda_C$	1270	---	1310	nm	
Optical Return Loss	$ORL$	26	---	---	dB	
Loss of signal -Deasserted	$P_D$	---	---	-20	dBm	
Loss of signal -Asserted	$P_A$	-35	---	---	dBm	
Differential Output Voltage	$V_{DIFF}$	500	---	1000	mV	
Receiver Loss of Signal Output Voltage-Low	$RX\_LOS_L$	0	---	0.5	V	
Receiver Loss of Signal Output Voltage-High	$RX\_LOS_H$	2.4	---	$V_{CC}$	V	

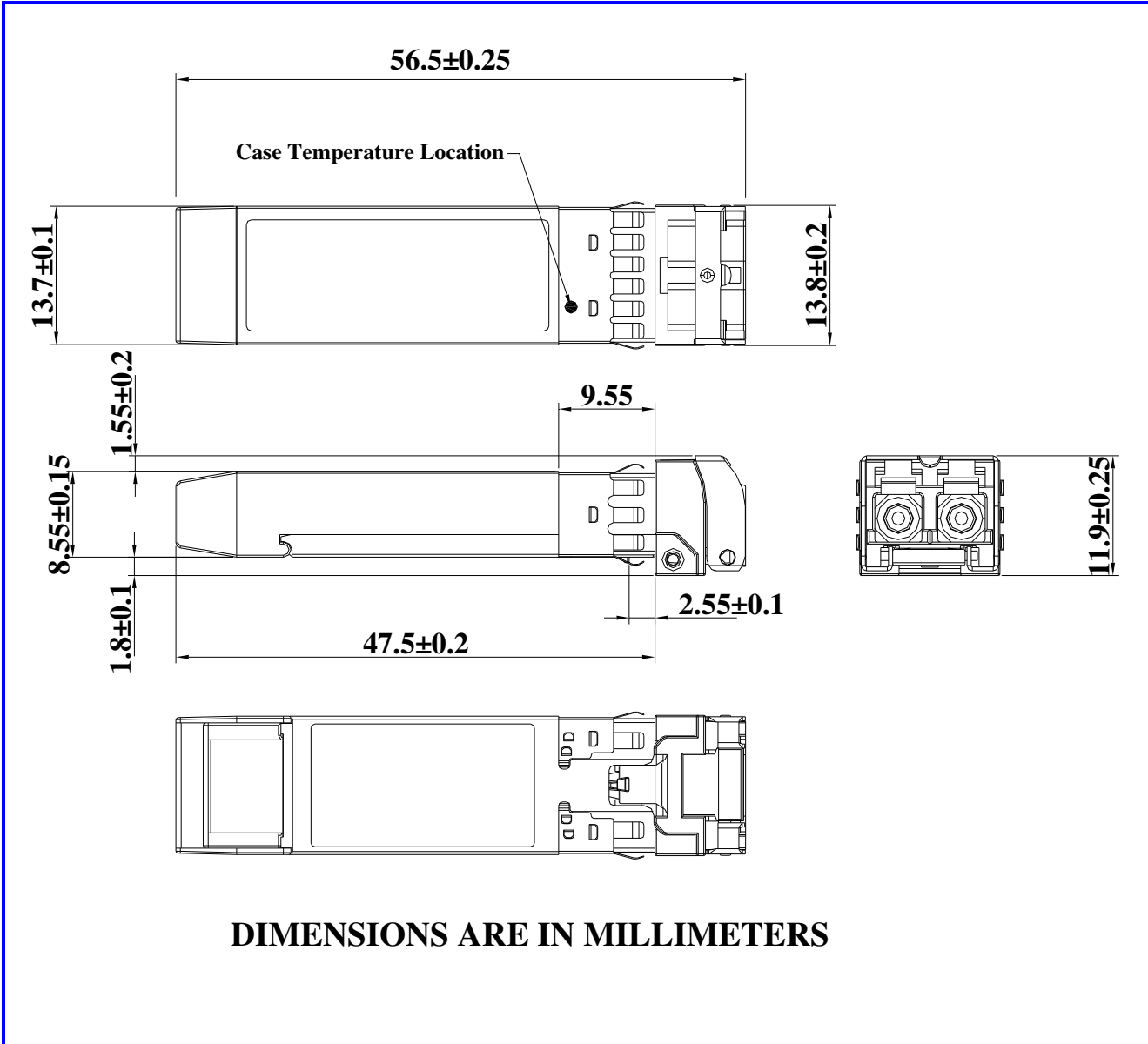
### Timing Parameters

PARAMETER	SYMBOL	MIN	TYP.	MAX	UNITS	NOTE
Time to initialize	$t_{start\_up}$			10	s	

Block Diagram of Transceiver

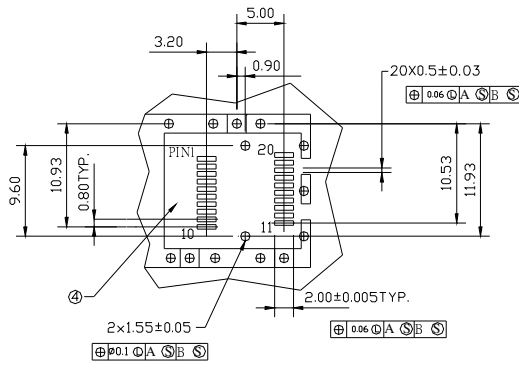
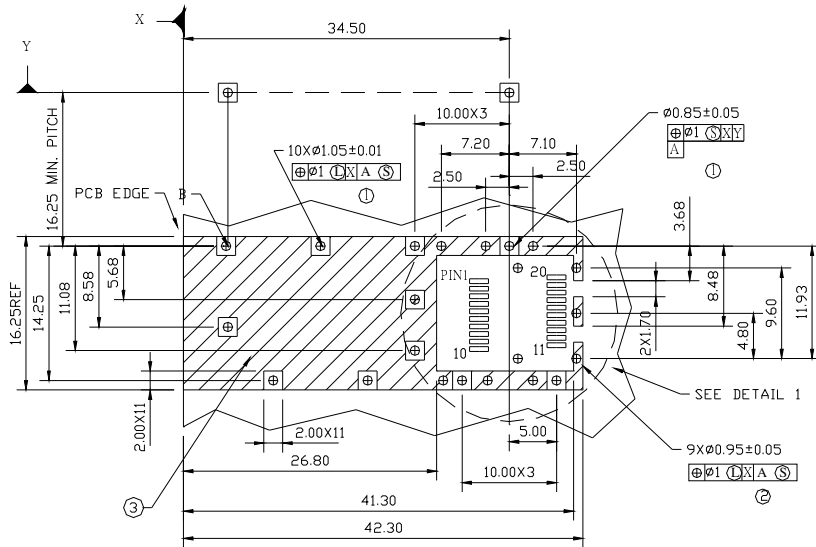


**Dimensions**



The bail color is red.

SFP host board mechanical layout



DETAIL 1

LEGEND

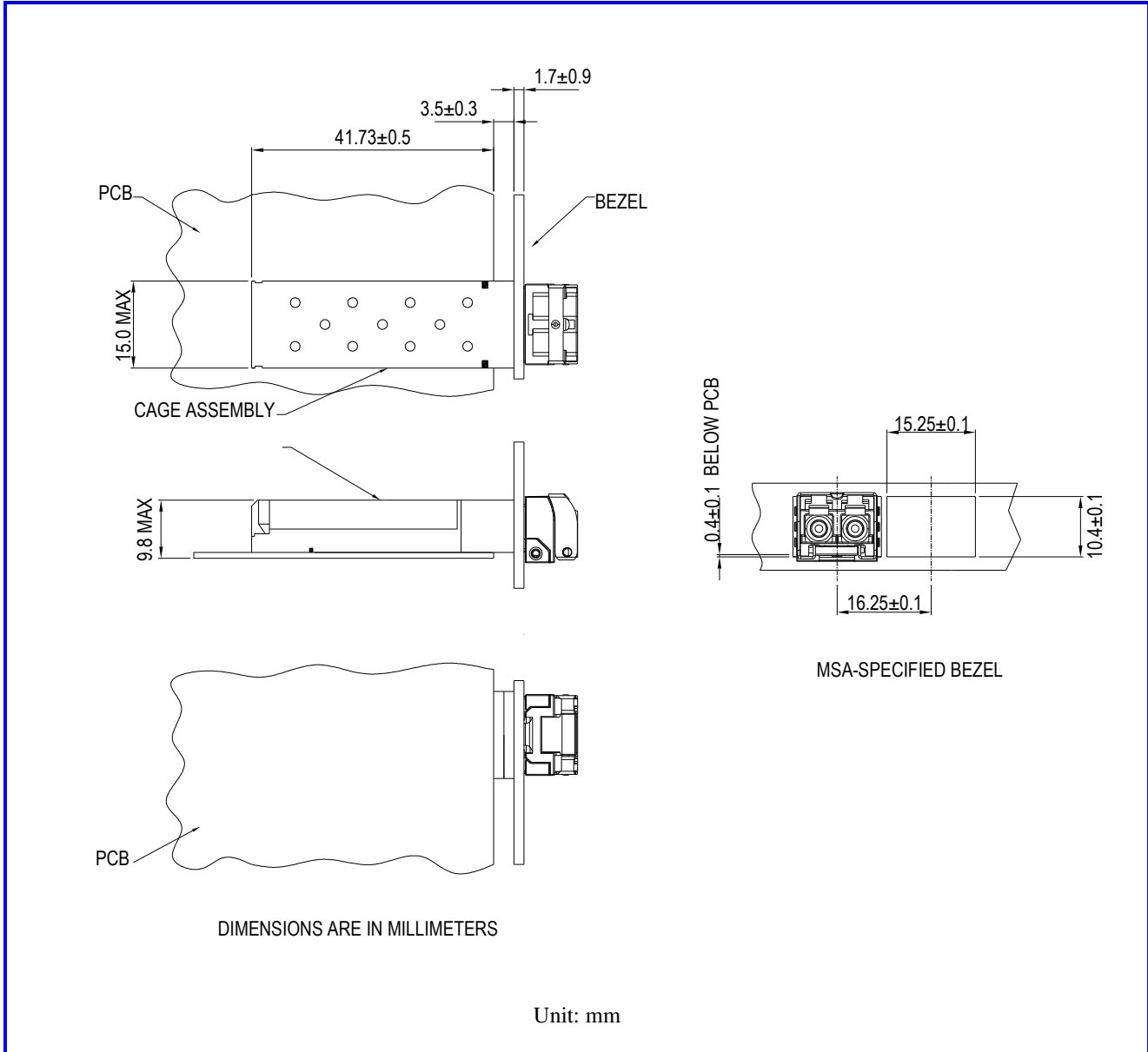
- 1.PADS AND VIAS ARE CHASSIS GROUND
- 2.THROUGH HOLES, PLATING OPTIONAL
- 3.HATCHED AREA DENOTES COMPONENT AND TRACE KEEPOUT(EXCEPT CHASSIS GROUND)
- 4.AREA DENOTES COMPONENT KEEPOUT (TRACES ALLOWED)

DIMENSIONS ARE IN MILLIMETERS

Unit: mm



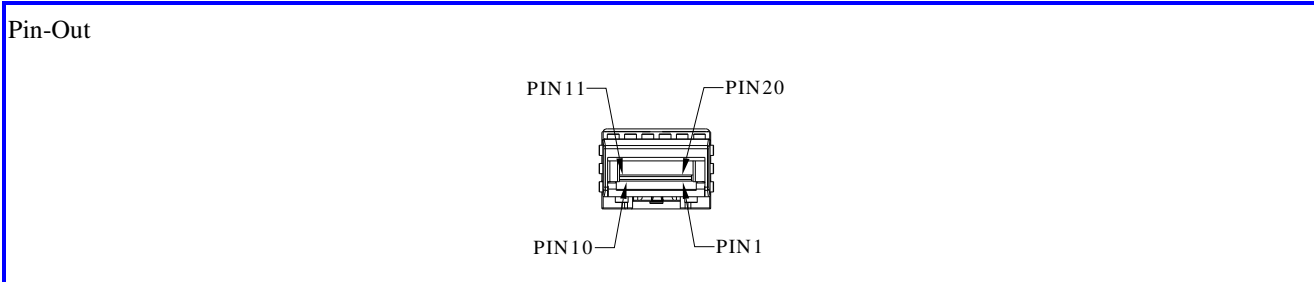
Assembly drawing





RoHS compliant  
 Single-mode , SFP28 LC Duplex Connector  
 25G Ethernet/CPRI  
 SFP28 O-Band DWDM 40km

Pin Assignment



Pin	Signal Name	I/O	Logic	Description	Note
1	<i>VeeT</i>			Transmit Ground	
2	<i>TX_FAULT</i>	O	LVTTL	Transmit Fault	
3	<i>TX_DISABLE</i>	I	LVTTL	Transmit Disable	
4	<i>SDA</i>	I/O	LVTTL	2-wire Serial Interface Data Line	
5	<i>SCL</i>	I/O	LVTTL	2-wire Serial Interface Clock	
6	<i>MOD_ABS</i>			Module Absent, connected to VeeT or VeeR in the module	
7	<i>RS0</i>	I	LVTTL	Rate select 0, not used	(2)
8	<i>RX_LOS</i>	O	LVTTL	Receiver Loss of Signal	
9	<i>RS1</i>	I	LVTTL	Rate select 1, not used	(2)
10	<i>VeeR</i>			Receiver Ground	
11	<i>VeeR</i>			Receiver Ground	
12	<i>RD-</i>	O	CML	Receive Data out Bar, AC coupled	
13	<i>RD+</i>	O	CML	Receive Data out, AC coupled	
14	<i>VeeR</i>			Receiver Ground	
15	<i>V<sub>CCR</sub></i>			Receiver Power Supply	
16	<i>V<sub>CCT</sub></i>			Transmitter Power Supply	
17	<i>VeeT</i>			Transmitter Ground	
18	<i>TD+</i>	I	CML	Transmit Data in, AC coupled	
19	<i>TD-</i>	I	CML	Transmit Data in Bar, AC coupled	
20	<i>VeeT</i>			Transmitter Ground	

Note (2):RS0 and RS1 are module inputs and are pulled low to VeeT with > 30 kΩ resistors in the module.