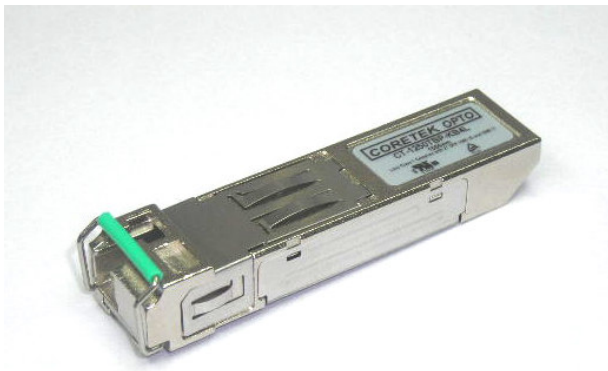
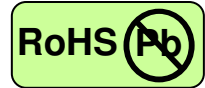


# 100BASE-BX-OLT Transceiver



**SFP BIDI, Single LC Connector, 1550nm DFB LD for Single Mode Fiber, RoHS Compliant**  
*Extended Operating Temperature from -40 to +85 °C*



## Features

- 1550nm DFB LD
- Data Rate: 125~155Mbps, NRZ
- Single +3.3V Power Supply
- RoHS Compliant and Lead-free
- AC/AC Differential Electrical Interface
- Compliant with Multi-Source Agreement (MSA) Small Form Factor Pluggable (SFP)
- Single LC Connector
- Compliance with specifications for IEEE-802.3ah 100BASE-BX10-D
- Compliance with FDDI PMD Standard
- Compliance with ATM Standard

## Applications

- Fast Ethernet
- FDDI
- ATM/SONET OC-3/SDH STM-1
- Single mode fiber links
- Optical-Electrical Interface Conversion

## Description

The CT-0155TBP-KB7L-A from Coretek Opto Corp. is the high performance and cost-effective module for serial optical data communication applications specified for single mode of 125 Mb/s. It operates with +3.3V power supply. The module is intended for Single-mode fiber, operates at a nominal wavelength of Tx: 1550nm / Rx: 1310nm and complies with Multi-Source Agreement (MSA) Small Form Factor Pluggable (SFP). Each module consists of a bi-directional optical subassembly that combines a transmitter with a receiver and an electrical subassembly. All of them are housed in a metal package and the combination produces a reliable component.

The module is a single fiber connector transceiver designed for use in Ethernet applications and to provide IEEE-802.3ah compliant link for 125Mb/s long reach applications. The characteristics are performed in accordance with Telcordia Specification GR-468-CORE.

## EMC

Most equipment utilizing high-speed transceivers will be required to meet the following requirements:

- 1) FCC in the United States
- 2) CENELEC EN55022 (CISPR 22) in Europe

To assist the customer in managing the overall equipment EMC performance, the transceivers have been designed to satisfy FCC class B limits and provide good immunity to radio-frequency electromagnetic fields.

## Eye Safety

The transceivers have been designed to meet Class 1 eye safety and comply with EN 60825-1.

# 100BASE-BX-OLT Transceiver



## Product Information

| Model Number      | Operating Voltage & SD Output | Distance | LD Type & Wavelength  | Output Power | Sensitivity    |
|-------------------|-------------------------------|----------|-----------------------|--------------|----------------|
| CT-0155TBP-KB7L-A | 3.3V TTL AC/AC                | 60 km    | 1550 nm DFB / 1310 nm | -5 ~ 0 dBm   | $\leq -34$ dBm |

## ABSOLUTE MAX RATINGS

| PARAMETER           | SYMBOL          | MIN | MAX             | UNIT | NOTE |
|---------------------|-----------------|-----|-----------------|------|------|
| Storage Temperature | T <sub>S</sub>  | -40 | 85              | °C   |      |
| Supply Voltage      | V <sub>CC</sub> | 0   | 6               | V    |      |
| Data Input Voltage  | ---             | 0   | V <sub>CC</sub> | V    |      |

## OPERATING CONDITIONS

| PARAMETER                  | SYMBOL          | MIN. | TYP. | MAX. | UNIT | NOTE |
|----------------------------|-----------------|------|------|------|------|------|
| Case Operating Temperature | T <sub>A</sub>  | -40  |      | 85   | °C   |      |
| Supply Voltage             | V <sub>CC</sub> | 3.1  |      | 3.5  | V    |      |
| Data Input Voltage Swing   | V <sub>ID</sub> | 400  |      | 1600 | mV   |      |

## ELECTRICAL CHARACTERISTICS

| PARAMETER                                 | SYMBOL           | MIN                   | MAX                   | UNIT | NOTE |
|---|------------------|-----------------------|-----------------------|------|------|
| <b>Transmitter</b>                        |                  |                       |                       |      |      |
| Transmitter Supply Current                | I <sub>CCT</sub> |                       | 200                   | mA   |      |
| Tx_Disable Input Voltage - Low            | V <sub>IL</sub>  | 0                     | 0.8                   | V    |      |
| Tx_Disable Input Voltage - High           | V <sub>IH</sub>  | 2.0                   | V <sub>CC</sub>       | V    |      |
| Tx_Fault Output Voltage - Low             | V <sub>OL</sub>  | 0                     | 0.8                   | V    |      |
| Tx_Fault Output Voltage - High            | V <sub>OH</sub>  | 2.0                   | V <sub>CC</sub>       | V    |      |
| <b>Receiver</b>                           |                  |                       |                       |      |      |
| Receiver Supply Current                   | I <sub>CCR</sub> |                       | 100                   | mA   |      |
| Receiver Data Output Differential Voltage | V <sub>OD</sub>  | 0.4                   | 1.3                   | V    |      |
| Rx_LOS Output Voltage - Low               | V <sub>OL</sub>  | 0                     | 0.8                   | V    |      |
| Rx_LOS Output Voltage - High              | V <sub>OH</sub>  | 2.0                   | V <sub>CC</sub>       | V    |      |
| MOD_DEF (1) , MOD_DEF (2) - Low           | V <sub>IL</sub>  | -0.6                  | V <sub>CC</sub> × 0.3 | V    |      |
| MOD_DEF (1) , MOD_DEF (2) - High          | V <sub>IH</sub>  | V <sub>CC</sub> × 0.7 | V <sub>CC</sub> + 0.5 | V    |      |

## TRANSMITTER ELECTRO-OPTICAL CHARACTERISTICS

| PARAMETER                     | SYMBOL           | MIN   | TYP. | MAX  | UNIT | NOTE |
|-------------------------------|------------------|---|------|------|------|------|
| Optical Output Power          | P <sub>o</sub>   | -5  |      | 0    | dBm  | 1    |
| Extinction Ratio              | ER               | 10  |      |      | dB   |      |
| Center Wavelength             | $\lambda_c$      | 1530  | 1550 | 1570 | nm   |      |
| Spectral Width (-20dB)        | $\Delta \lambda$ |   |      | 1    | nm   |      |
| Side Mode Suppression Ratio   | SMSR             | 30  |      |      | dB   |      |
| Optical Rise time ( 10%-90% ) | t <sub>r</sub>   |   |      | 2.0  | ns   |      |
| Optical Fall time ( 10%-90% ) | t <sub>f</sub>   |   |      | 2.0  | ns   |      |
| Output Eye                    |                  | Compliant with IEEE802.3ah and ITU recommendation G.957 |      |      |      |      |

# 100BASE-BX-OLT Transceiver



## RECEIVER ELECTRO-OPTICAL CHARACTERISTICS

| PARAMETER                   | SYMBOL      | MIN         | TYP. | MAX  | UNIT | NOTE |
|-----------------------------|-------------|-------------|------|------|------|------|
| Maximum Input Optical Power | $P_{max}$   | -3          |      |      | dBm  | 2    |
| Receiver Sensitivity        | $P_{min}$   |             |      | -34  | dBm  | 2    |
| Operating Wavelength        | $\lambda$   | 1260        | 1310 | 1360 | nm   |      |
| Optical Return Loss         | ORL         | 14          |      |      | dB   |      |
| Loss of Signal - Asserted   | $P_A$       | -45         |      |      | dBm  |      |
| Loss of Signal - Deasserted | $P_D$       | $P_A + 0.5$ |      | -33  | dBm  |      |
| Loss of Signal - Hysteresis | $P_D - P_A$ | 0.5         |      | 4    | dB   |      |

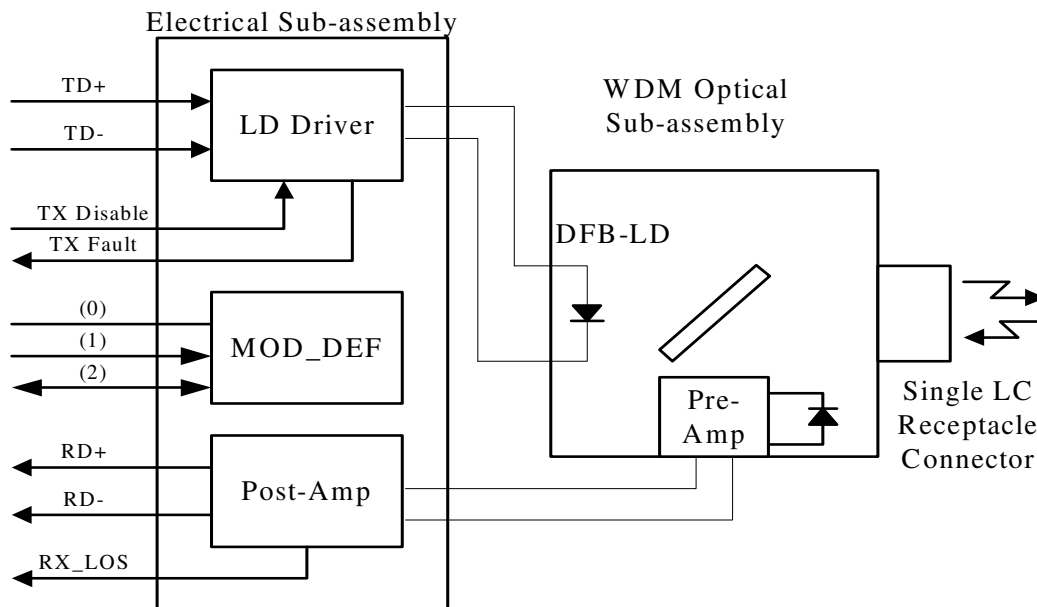
### Notes:

1. Measured average power coupled into 9/125  $\mu$  m single mode fiber.
2. Measured with  $2^{23}-1$  PRBS at BER <  $10^{-10}$  and 155Mbps.

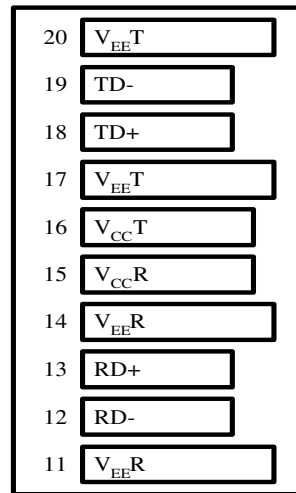
## TIMING CHARACTERISTICS

| PARAMETER                                       | SYMBOL          | MIN | TYP. | MAX | UNIT    | NOTE |
|---|-----------------|-----|------|-----|---------|------|
| TX_DISABLE Assert Time                          | $t_{off}$       |     |      | 10  | $\mu$ s |      |
| TX_DISABLE Negate Time                          | $t_{on}$        |     |      | 1   | ms      |      |
| Time to initialize, include reset of TX_FAULT   | $t_{init}$      |     |      | 300 | ms      |      |
| TX_FAULT from fault to assertion                | $t_{fault}$     |     |      | 100 | $\mu$ s |      |
| TX_DISABLE time to start reset                  | $t_{reset}$     | 10  |      |     | $\mu$ s |      |
| Receiver Loss of Signal Assert Time (off to on) | $t_{A,RX\_LOS}$ |     |      | 100 | $\mu$ s |      |
| Receiver Loss of Signal Assert Time (on to off) | $t_{D,RX\_LOS}$ |     |      | 100 | $\mu$ s |      |

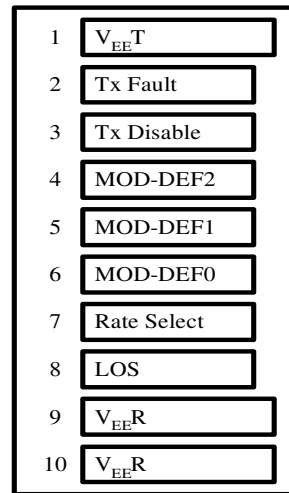
## BLOCK DIAGRAM OF TRANSCEIVER



## PIN OUT DIAGRAM OF TRANSCEIVER



Top of Board



Bottom of Board (As Viewed through Top of Board)

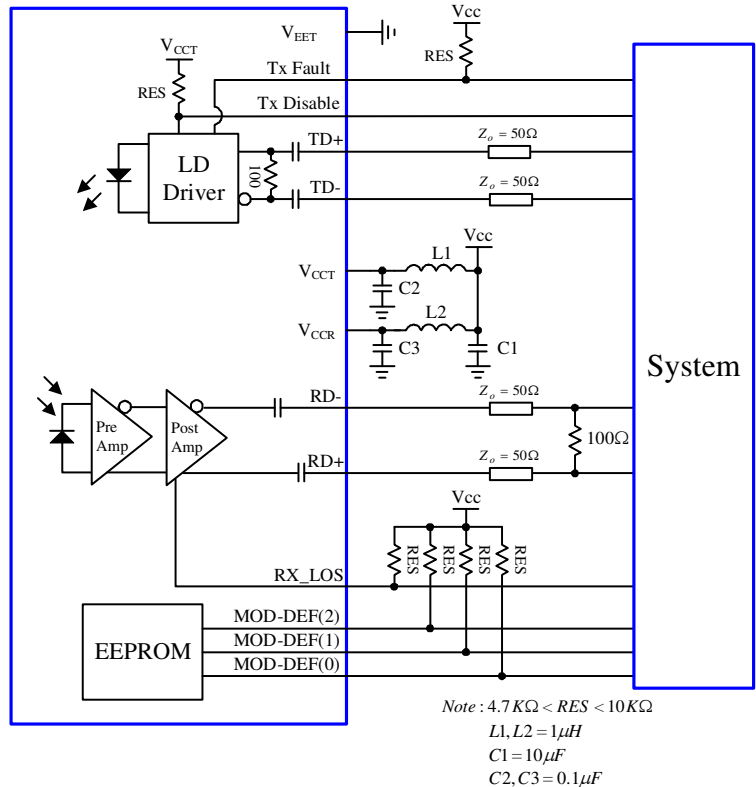
## PIN OUT TABLE

| Pin | Symbol      | Functional Description                                |
|-----|-------------|---|
| 1   | VeeT        | Transmitter Ground                                    |
| 2   | TX Fault    | Transmitter Fault Indication                          |
| 3   | TX Disable  | Transmitter Disable – Module disables on high or open |
| 4   | MOD-DEF(2)  | Module Definition 2 – Two wire serial ID interface    |
| 5   | MOD-DEF(1)  | Module Definition 1 – Two wire serial ID interface    |
| 6   | MOD-DEF(0)  | Module Definition 0 – Grounded in module              |
| 7   | Rate Select | Not Connected   |
| 8   | LOS         | Loss of Signal  |
| 9   | VeeR        | Receiver Ground                                       |
| 10  | VeeR        | Receiver Ground                                       |
| 11  | VeeR        | Receiver Ground                                       |
| 12  | RD-         | Inverse Received Data Out                             |
| 13  | RD+         | Received Data Out                                     |
| 14  | VeeR        | Receiver Ground                                       |
| 15  | VccR        | Receiver Power  |
| 16  | VccT        | Transmitter Power                                     |
| 17  | VeeT        | Transmitter Ground                                    |
| 18  | TD+         | Transmitter Data In                                   |
| 19  | TD-         | Inverse Transmitter Data In                           |
| 20  | VeeT        | Transmitter Ground                                    |

# 100BASE-BX-OLT Transceiver

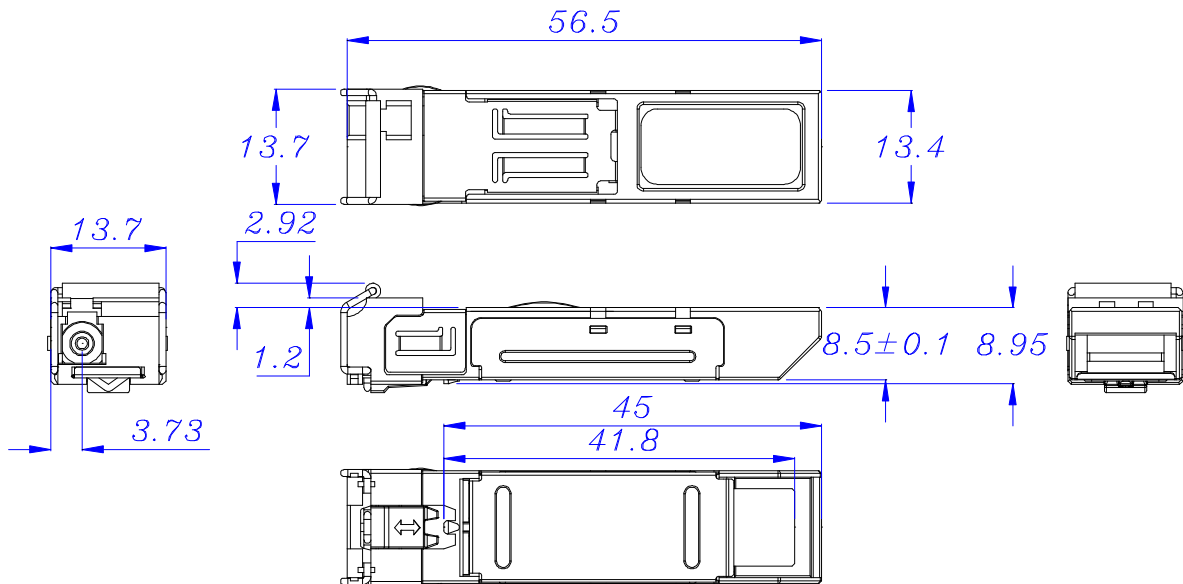


## RECOMMENDED CIRCUIT SCHEMATIC



## MECHANICAL DIMENSIONS

Units in mm



All dimensions are  $\pm 0.2\text{mm}$  unless otherwise specified.

### Claim:

CORETEK Opto Corp. reserves the right to make changes in the specification described hereinafter without prior notice.