

## AFBR-734ASMZ

### 25GbE SFP28 for Multi-Mode Optical Fiber Digital Diagnostic SFP, 850-nm, Low Voltage (3.3V) 25GBASE-SR Ethernet Optical Transceiver

---

#### Description

The Broadcom<sup>®</sup> AFBR-734ASMZ optical transceiver supports high-speed serial links over multi-mode optical fiber at 25.78 Gb/s (the serial line rate of 25GbE). The product is compliant with Small Form Pluggable industry agreements SFP and SFP28 for mechanical and low-speed electrical specifications. High-speed electrical and optical specifications are compliant with IEEE 802.3 for 25GBASE-SR.

The AFBR-734ASMZ is a 850-nm transceiver that ensures compliance with 25GBASE-SR specifications. Per the requirements of 25GbE, internal clock and data recovery (CDR) circuits are present on both electrical input and electrical output of this transceiver. These CDRs lock at 25.78Gb/s and cannot be bypassed.

Digital diagnostic monitoring information (DMI) is present in the AFBR-734ASMZ per the requirements of SFF-8472, providing real time monitoring information of transceiver laser, receiver and environment conditions over an SFF-8419 two-wire serial interface.

#### Related Products

- AFBR-89CDDZ: 850-nm QSFP28 for 100GBASE-SR4
- AFBR-79EQDZ: 850-nm QSFP+ for 40GBASE-SR4, 100m
- AFBR-79E3PZ: 850-nm QSFP+ for 40GBASE-SR4, 300m
- AFBR-709ISMZ: 850-nm SFP+ for 10GBASE-SR/SW, -40°C/85°C
- AFBR-709SMZ: 850-nm SFP+ for 10GBASE-SR/SW, 0°C/70°C
- AFCT-709SM: 1310nm SFP+ for 10GBASE-LR, 0°C/70°C

#### Features

- Compliant to RoHS directives
- 850-nm Vertical Cavity Surface Emitting Laser (VCSEL)
- Class 1 eye safe per IEC60825-1 and CDRH
- Wide temperature range (0°C to 85°C)
- LC duplex connector optical interface conforming to ANSI TIA/EIA604-10 (FOCIS 10A)
- Diagnostic features per SFF-8472 “Diagnostic Monitoring Interface for Optical Transceivers”
- Enhanced operational features including variable electrical EQ/emphasis settings
- Real time monitoring of the following:
  - Transmitter average optical power
  - Received average optical power
  - Laser bias current
  - Temperature
  - Supply voltage
- SFP28 mechanical specifications per SFF-8432
- SFP28 compliant low speed interface per SFF-8419
- 25GBASE-SR compliant optical link distances

#### Applications

- Ethernet switches (director, stand-alone, blade)
- Ethernet NIC cards and adapters
- Port side connections
- Inter-switch or inter-chassis aggregated links

## Transmitter Section

The transmitter section includes a Transmitter Optical Sub-Assembly (TOSA), laser driver circuit, CDR circuit, and an electrical input stage with variable equalization controls. The TOSA contains a 850-nm VCSEL light source with integral light monitoring function and imaging optics to assure efficient optical coupling to the LC connector interface. The TOSA is driven by a laser driver IC, which uses the differential output from an integral Tx CDR stage to modulate and regulate VCSEL optical power. As mandated by IEEE 802.3, the integral CDR cleans up any incoming jitter accumulated from the host ASIC, PCB traces, and SFP electrical connector. Between the SFP electrical connector and Tx CDR is a variable, two-wire serial controlled, equalization circuit to optimize SFP performance with nonideal incoming electrical waveforms.

## Receiver Section

The receiver section includes a Receiver Optical Sub-Assembly (ROSA), pre-amplification and post-amplification circuit, CDR circuit, and an electrical output stage with variable emphasis controls. The ROSA, containing a high speed PIN detector, pre-amplifier, and imaging optics efficiently couple light from the LC connector interface and perform an optical to electrical conversion.

The resulting differential electrical signal passes through a post amplification circuit and into a CDR circuit for cleaning up accumulated jitter.

Note the Tx and Rx CDR is engaged regardless of TX/RX rate select control input levels (both hardware and software).

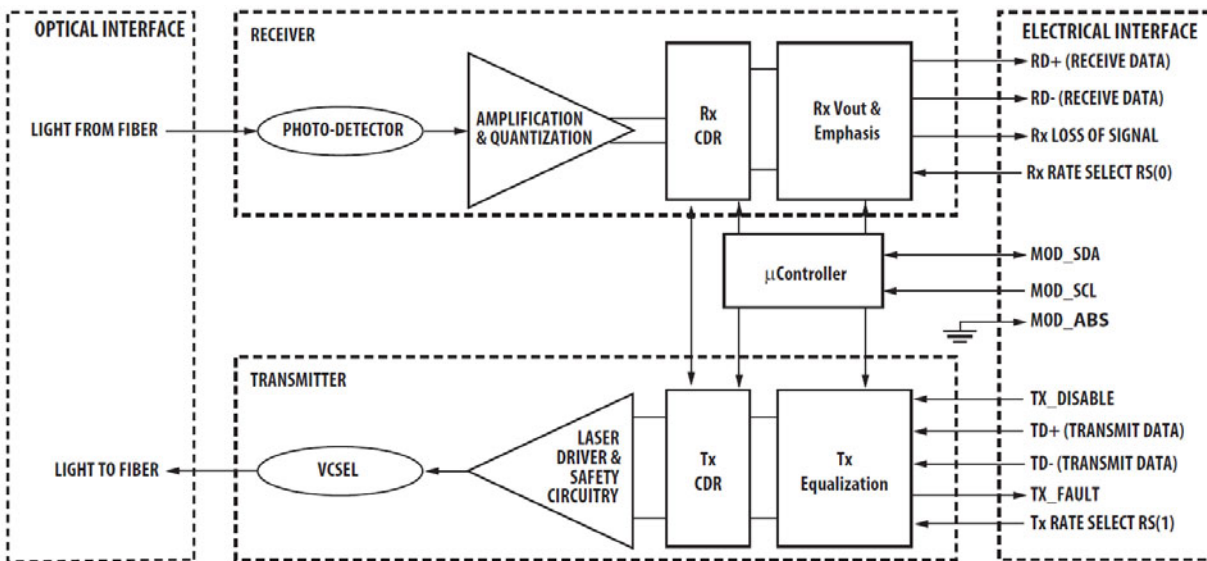
## Digital Diagnostics

The AFBR-734ASMZ is compliant to the Diagnostic Monitoring Interface (DMI) defined in document SFF- 8472. These features allow the host to access, using two-wire serial, real-time diagnostic monitors of transmit optical power, received optical power, temperature, supply voltage, and laser operating current.

## Low-Speed Interfaces

Conventional low speed interface I/Os are available as defined in documents SFF-8419 to manage coarse and fine functions of the optical transceiver. On the transmit side, a Tx\_DISABLE input is provided for the host to turn on and off the outgoing optical signal. A transmitter fault indicator output, Tx\_FAULT, is available for the SFP to signal a host of a transmitter operational problem. A received optical power loss of signal indicator, RX\_LOS, is available to advise the host of a receiver operational problem, such as a low optical input condition.

Figure 1: Transceiver Functional Diagram



**Table 1: Regulatory Compliance**

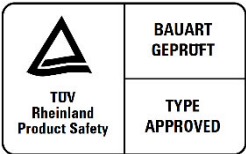
Feature	Test Method	Performance
Electrostatic Discharge (ESD) to the Electrical Contacts	JEDEC Human Body Model (HBM) (JESD22-A114- B)	High-speed contacts shall withstand 1000V. All other contacts shall withstand 2000V.
Electrostatic Discharge (ESD) to the Optical Connector Receptacle	EN61000-4-2, Criterion B	When installed in a properly grounded housing and chassis the units are subjected to 15-kV air discharges during operation and 8-kV direct discharges to the case.
Electromagnetic Interference (EMI)	FCC Part 15 CENELEC EN55022 (CISPR 22A) VCCI Class 1	System margins are dependent on customer board and chassis design.
Immunity	Variation of IEC 61000-4-3	Typically shows no measurable effect from a 10-V/m field set from 80 MHz to 1 GHz applied to the module without a chassis enclosure
Laser Eye Safety and Equipment Type Testing 	US FDA CDRH AEL Class 1 US21 CFP, Subchapter J per Paragraphs 1002.10 and 1002.12 (IEC) EN60825-1:1994 +A11 +A2 (IEC) EN60825-2:1994 +A1 (IEC) EN60950:1992 +A1 +A2 +A3 +A4 +A11	CDRH Certification 9720151-155 TUV File: R72121699
Component Recognition	Underwriters Laboratories (UL) and Canadian Standards Association (CSA) Joint Component Recognition for Information Technology Equipment including Electrical Business Equipment	UL File: E173874
RoHS Compliance		Less than 1000 ppm of cadmium, lead, mercury, hexavalent chromium, polybrominated biphenyls (PPBs) and polybrominated biphenyl ethers (PBDEs).

Figure 2: Typical Application Configuration

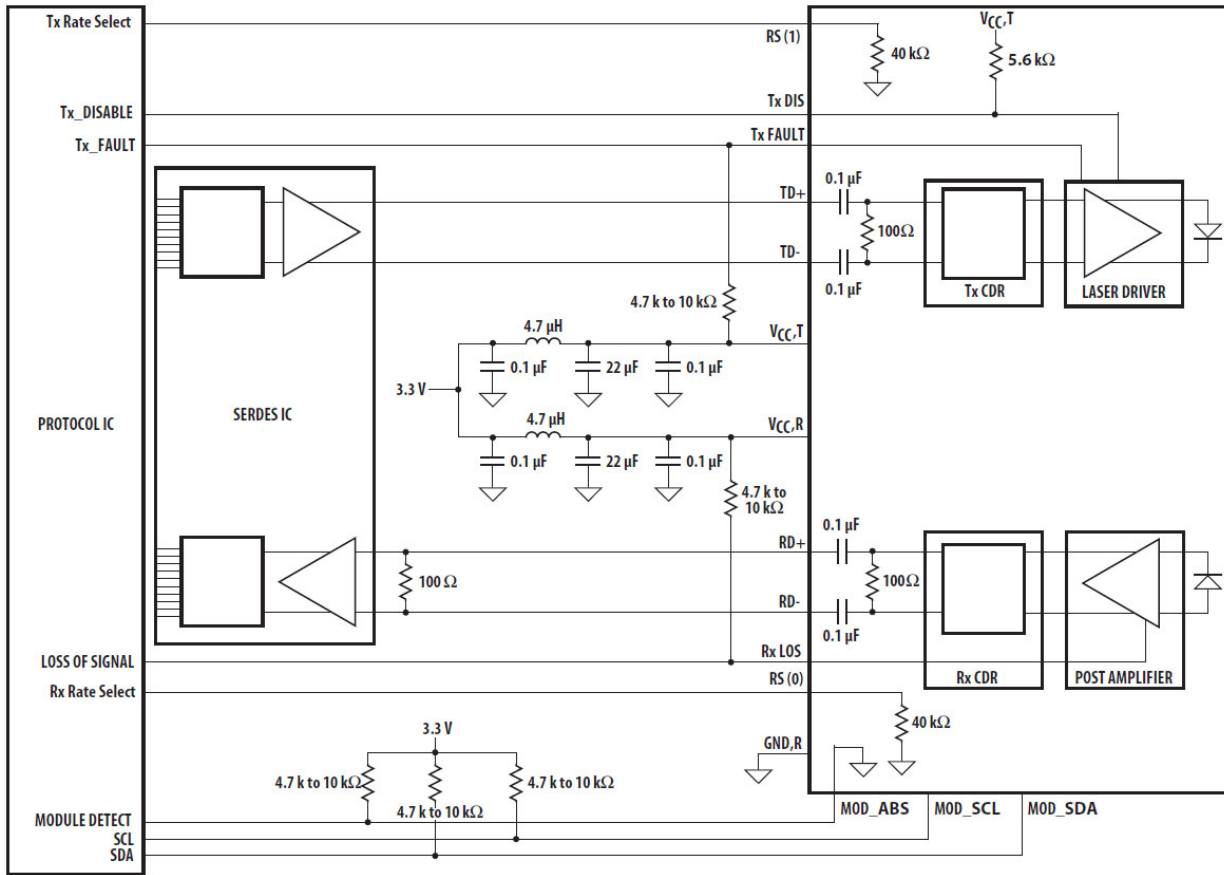
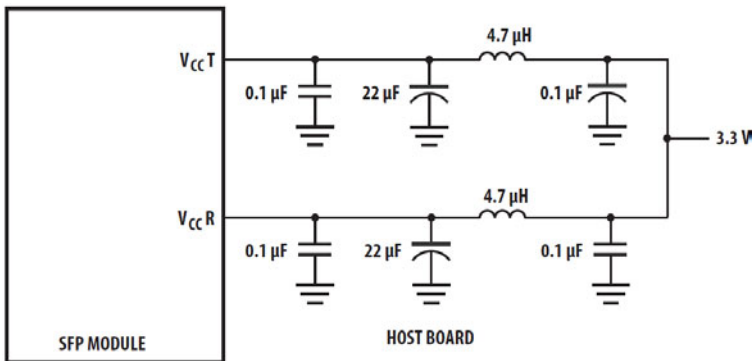


Figure 3: Recommended Power Supply Filter



NOTE: INDUCTORS MUST HAVE LESS THAN 0.5Ω SERIES RESISTANCE TO LIMIT VOLTAGE DROP TO THE SFP MODULE.

**Table 2: Pin Description**

Pin	Name	Function/Description	Notes
1	VeeT	Transmitter Ground	
2	TX_FAULT	Transmitter Fault Indication – High indicates a fault condition	a
3	TX_DISABLE	Transmitter Disable – Module optical output disables on high or open	b
4	MOD_SDA	Module Definition 2 – Two-wire serial ID interface data line (SDA)	c
5	MOD_SCL	Module Definition 1 – Two-wire serial ID interface clock line (SCL)	c
6	MOD_ABS	Module Definition 0 – Grounded in module (module present indicator)	c
7	Rx Rate Select, RS(0)	Not used, Presents high input impedance	d
8	RX_LOS	Loss of Signal – High indicates loss of received optical signal	e
9	Tx Rate Select, RS(1)	Not used, presents high input impedance	d
10	VeeR	Receiver Ground	
11	VeeR	Receiver Ground	
12	RD–	Inverse Received Data Out	f
13	RD+	Received Data Out	f
14	VeeR	Receiver Ground	
15	VccR	Receiver Power + 3.3V	g
16	VccT	Transmitter Power + 3.3V	g
17	VeeT	Transmitter Ground	
18	TD+	Transmitter Data In	h
19	TD–	Inverse Transmitter Data In	h
20	VeeT	Transmitter Ground	

- a. TX\_FAULT is an open collector/drain output, which must be pulled up with a 4.7-k $\Omega$  to 10-k $\Omega$  resistor on the host board. When high, this output indicates a laser fault of some kind. Low indicates normal operation. In the low state, the output will be pulled to < 0.8V.
- b. TX\_DISABLE is an input that is used to shut down the transmitter optical output. It is internally pulled up (within the transceiver) with a 5.6-k $\Omega$  resistor.
- |                                |                      |
|--------------------------------|----------------------|
| Low (0 - 0.8V):                | Transmitter on       |
| Between (0.8V and 2.0V):       | Undefined            |
| High (2.0 – Vcc max.) or OPEN: | Transmitter Disabled |
- c. The signals Mod\_ABS, SCL, SDA designate the two-wire serial interface pins. They must be pulled up with a 4.7-k $\Omega$  to 10-k $\Omega$  resistor on the host board. Mod\_ABS is grounded by the module to indicate the module is present Mod\_SCL is serial clock line (SCL) of two-wire serial interface Mod\_SDA is serial data line (SDA) of two-wire serial interface.
- d. Rate select input is not used. CDR is always enabled. It is internally pulled down with a 40-k $\Omega$  resistor.
- e. RX\_LOS (Rx Loss of Signal) is an open collector/drain output that must be pulled up with a 4.7-k $\Omega$  to 10-k $\Omega$  resistor on the host board. When high, this output indicates the received optical power is below the worst case receiver sensitivity (as defined by the standard in use). Low indicates normal operation. In the low state, the output will be pulled to < 0.8V.
- f. RD–/+ designate the differential receiver outputs. They are AC coupled 100 $\Omega$  differential lines that should be terminated with 100 $\Omega$  differential at the host SerDes input. AC coupling is done inside the transceiver and is not required on the host board. The voltage swing on these lines is between 50 mV and 900 mV differential (25-mV to 450-mV single-ended) when properly terminated.
- g. VccR and VccT are the receiver and transmitter power supplies. Refer to SFF-8419 for the details.
- h. TD–/+ designate the differential transmitter inputs. They are AC coupled differential lines with 100 $\Omega$  differential termination inside the module. The AC coupling is done inside the module and is not required on the host board. The inputs will accept differential swings of 40 mV to 1200 mV (20-mV to 600-mV single-ended), though use values between 50 mV and 900 mV differential (25-mV to 450-mV single-ended) for best EMI performance.

Stress in excess of any of the individual [Absolute Maximum Ratings](#) can cause immediate catastrophic damage to the module even if all other parameters are within [Recommended Operating Conditions](#). It should not be assumed that limiting values of more than one parameter can be applied to the module concurrently. Exposure to any of the [Absolute Maximum Ratings](#) for extended periods can adversely affect reliability.

**Table 3: Absolute Maximum Ratings**

Parameter	Symbol	Min.	Max.	Units	Notes
Storage Temperature	$T_S$	-40	85	°C	a
Case Operating Temperature	$T_C$	-40	85	°C	
Relative Humidity	RH	5	95	%	
Supply Voltage	$V_{CC}$	-0.5	3.63	V	
Low Speed Input Voltage	$V_I$	-0.5	$V_{CC} + 0.5, 3.63$	V	

- a. Absolute maximum ratings are those values beyond which damage to the device may occur if these limits are exceeded for other than a short period of time. Refer to the reliability data sheet for specific reliability performance. Between [Absolute Maximum Ratings](#) and the [Recommended Operating Conditions](#) functional performance is not intended, device reliability is not implied, and damage to the device may occur over an extended period of time.

[Recommended Operating Conditions](#) specify parameters for which the optical and electrical characteristics hold unless otherwise noted. Optical and electrical characteristics are not defined for operation outside the [Recommended Operating Conditions](#), reliability is not implied and damage to the module may occur for such operation over an extended period of time.

**Table 4: Recommended Operating Conditions**

Parameter	Symbol	Min.	Typ.	Max.	Units	Notes
Case Operating Temperature	$T_C$	0	—	85	°C	a
Supply Voltage	$V_{CC}$	3.135	3.3	3.465	V	
Data Rate		—	25.78125	—	Gb/s	b
Two-Wire Serial (TWS) Interface Clock Rate		—	—	400	kHz	c

- a. The position of case temperature measurement is shown in [Figure 7](#). Continuous operation at the maximum recommended case operating temperature should be avoided not to degrade reliability.
- b. 25GbE requires FEC RS(528,514) encoding per IEEE 802.3.
- c. With 500- $\mu$ s clock stretch per SFF-8419.

The following characteristics are defined per the [Recommended Operating Conditions](#) unless otherwise noted.

**Table 5: Transceiver Electrical Characteristics**

Parameter	Symbol	Min.	Typ.	Max.	Units	Notes
Transceiver Power Consumption		—	—	1.0	W	
Transceiver Power Supply Current		—	—	319	mA	
Power Supply Noise Rejection (Peak-Peak)	PSNR	—	—	66	mV	a
TX_FAULT, RX_LOS	I <sub>OH</sub>	-50	—	37.5	uA	b
	V <sub>OL</sub>	-0.3	—	0.4	V	
TX_DIS, RS(0), RS(1)	V <sub>IH</sub>	2.0	—	V <sub>CC</sub> + 0.3	V	
	V <sub>IL</sub>	-0.3	—	0.8	V	
MOD_SCL, MOD_SDA	V <sub>OH</sub>	VCC_Host - 0.5	—	VCC_Host+0.3	V	c
	V <sub>OL</sub>	0.0	—	0.4	V	
	V <sub>IH</sub>	VCCT × 0.7	—	VCCT + 0.5	V	
	V <sub>IL</sub>	-0.3	—	VCCT × 0.3	V	

- Filter per SFP specification is required on the host board to remove 10-Hz to 2-MHz content.
- Measured with a 4.7-kΩ load pulled up to the host board to 3.3V.
- Mod\_SCL and Mod\_SDA must be pulled up externally with a 4.7-kΩ to 10-kΩ resistor on the host board to host VCC (3.14 < VCC\_Hst < 3.46V).

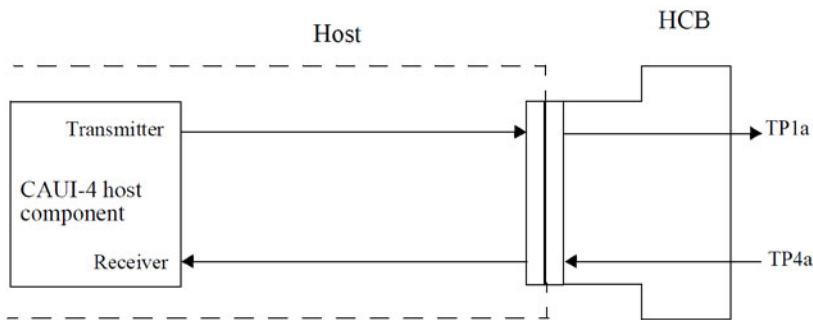
**Table 6: High-Speed Electrical Module Input Characteristics**

Parameter	Test Point	Min.	Typ.	Max.	Units	Notes/Conditions
Signaling Rate	TP1		25.78125		GBd	±100 ppm
Differential pk-pk Input Voltage Tolerance	TP1a	900			mV	
Differential Input Return Loss, Min.	TP1		Eq 83E-5		dB	IEEE 802.3bm
Common Mode to Differential Input Return Loss, Min.	TP1		Eq 83E-6		dB	IEEE 802.3bm
Differential Termination Mismatch	TP1			10	%	
Module Stressed Input Test	TP1a		83E.3.4.2			IEEE 802.3bm, below
Single-Ended Voltage Tolerance Range	TP1a	-0.4		3.3	V	
DC Common Mode Output Voltage	TP1a	-0.350		2.85	V	Note <sup>a</sup>
LOS Hysteresis		0.5		4	dB	Note <sup>b</sup>
Parameter		Value			Units	Notes/Conditions
Module Stressed Input Test						Note <sup>c</sup>
Eye Width		0.46			UI	
Applied Pk-Pk Sinusoidal Jitter		Table 88-13				
Eye Height		95			mV	

- DC common mode voltage generated by the host. The specification includes effects of ground offset voltage.
- LOS hysteresis is defined as 20 × Log(LOS Deassert Level / LOS Assert Level).
- Module stressed input tolerance is measured using the procedure defined in 83E.3.4.1.1.

**Table 7: Reference Points**

Test Point	Description
TP0	Host ASIC transmitter output at ASIC package pin on a DUT board.
TP1	Input to the module compliance board through the mated module compliance board and the module connector. Used to test the module input.
TP1A	Host ASIC transmitter output across the host board and the host edge card connector at the output of the host compliance board.
TP2	Optical transmitter output as measured at the end of a 2m to 5m patch cord mated to the optical module.
TP3	Optical test point as measured at the end of an optical fiber cable; the closest test point to the presumed optical receiver input.
TP4	Module output through the mated module and the host edge card connector through the module compliance board.
TP4A	Input to the host compliance board through the mated host compliance board and the host edge card connector. Used to test the host input.
TP5	Input to the host ASIC.

**Figure 4: IEEE 802.3bm CAUI-4 Compliance Points TP1a, TP4a****Figure 83E-4—Host CAUI-4 Compliance Points**

Note a reference receiver is used to measure host eye width and eye height at TP1a. The reference receiver includes a selectable continuous time linear equalizer (CTLE), which is described by [Equation \(83E-4\)](#) with coefficients given in [Table 83E-2 – Reference CTLE Coefficients](#).

**Equation (83E-4)**

$$H(f) = (G \times P_1 \times P_2) / Z_1$$

where:

$H(f)$  is the CTLE transfer function,  $f$  is the frequency in GHz

$G$  is the CTLE gain

$P_1, P_2$  are the CTLE poles in Grad/s

$Z_1$  is the CTLE zero in Grad/s



**Table 83E-2 – Reference CTLE Coefficients**

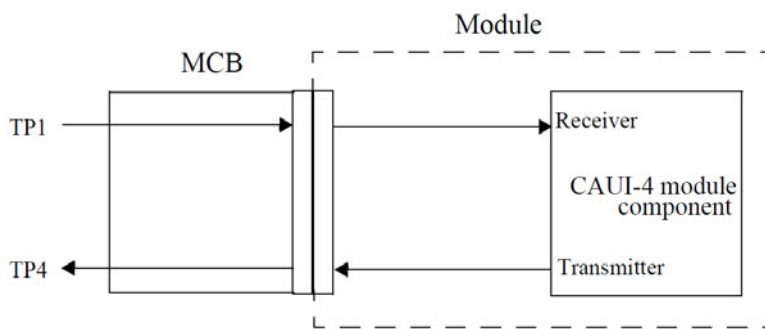
Peaking (dB)	G	$P_1/2\pi$	$P_2/2\pi$	$Z_1/2\pi$
1	0.89125	18.6	14.1	8.364
2	0.79433	18.6	14.1	7.099
3	0.70795	15.6	14.1	5.676
4	0.63096	15.6	14.1	4.9601
5	0.56234	15.6	14.1	4.358
6	0.50119	15.6	14.1	3.844
7	0.44668	15.6	14.1	3.399
8	0.39811	15.6	14.1	3.012
9	0.35481	15.6	14.1	2.672

From 25G AUI C2M Clause 109B. The following characteristics are defined over the [Recommended Operating Conditions](#) unless otherwise noted.

**Table 8: High-Speed Electrical Module Output Characteristics**

Parameter	TestPoint	Min.	Typ.	Max.	Units	Notes/Conditions
Signaling Rate	TP4	—	25.78125	—	GBd	±100 ppm
Common Mode AC Output Voltage, RMS	TP4	—	—	17.5	mV, rms	
Differential Output Voltage	TP4	—	—	900	mV	
Eye Width	TP4	0.57	—	—	UI	
Eye Height, Differential	TP4	228	—	—	mV	
Vertical Eye Closure	TP4	—	—	5.5	dB	
Differential Output Return Loss, Min.	TP4	—	Eq 83E-2	—	dB	IEEE 802.3bm
Common to Differential Mode Conversion, Min.	TP4	—	Eq 83E-3	—	dB	IEEE 802.3bm
Differential Termination Mismatch	TP4	—	—	10	%	
Transition Time (20% to 80%)	TP4	12	—	—	ps	
DC Common Mode Voltage	TP4	-0.35	—	2.85	V	Note <sup>a</sup>

a. DC common mode voltage is generated by the host. The specification includes effects of ground offset voltage.

**Figure 5: IEEE 802.3bm CAUI-4 Compliance Points TP1, TP4 (Figure 83E-5-Module CAUI-4 Compliance Points)****Figure 83E-5—Module CAUI-4 Compliance Points**

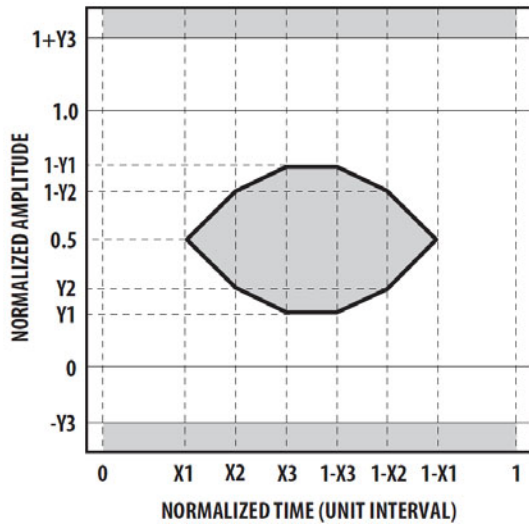
From 25GBASE-SR, 802.3by Clause 112. The following characteristics are defined over the [Recommended Operating Conditions](#) unless otherwise noted.

**Table 9: High-Speed Optical Transmitter Characteristics**

Parameter	Test Point*	Min.	Typ.	Max.	Units	Notes/Conditions
Signaling Rate		—	25.78125	—		±100 ppm
Center Wavelength Range	TP2	840	—	860	nm	
RMS Spectral Width	TP2	—	—	0.60	nm	Note <sup>a</sup>
Average Launch Power	TP2	-8.4	—	+2.4	dBm	
Optical Modulation Amplitude (OMA)	TP2	-6.4	—	+3.0	dBm	Note <sup>b</sup>
Launch Power in OMA Minus TDEC	TP2	-7.3	—	—	dBm	
Transmitter and Dispersion Eye Closure (TDEC)	TP2	—	—	4.3	dB	
Average Launch Power of OFF Transmitter	TP2	—	—	-30	dBm	
Extinction Ratio	TP2	2	—	—	dB	
Optical Return Loss Tolerance	TP2			12	dB	
Encircled Flux	TP2	≥ 86% at 19 μm ≤ 30% at 4.5 μm		—		Note <sup>c</sup>
Transmitter Eye Mask Definition: {X1, X2, X3, Y1, Y2, Y3}	TP2	Specification Values {0.3, 0.38, 0.45, 0.35, 0.41, 0.5}				Hit ratio $1.5 \times 10^{-3}$ hits per sample

- a. RMS spectral width is the standard deviation of the spectrum.
- b. Even if the TDEC < 0.9 dB, the OMA (min.) must exceed this value.
- c. If measured into type A1a.2 50-μm fiber in accordance with IEC 61280-1-4.

**Figure 6: Transmitter Eye Mask Definitions**



From 25GBASE-SR, 802.3by Clause 112. The following characteristics are defined over the [Recommended Operating Conditions](#) unless otherwise noted.

**Table 10: High-Speed Optical Receiver Characteristics**

Parameter	Test Point*	Min.	Typ.	Max.	Units	Notes/Conditions
Signaling Rate		—	25.78125	—		±100 ppm
Center Wavelength Range	TP3	840	—	860	nm	
Damage Threshold	TP3	+3.4	—		dBm	Note <sup>a</sup>
Average Receive Power	TP3	-10.3	—	+2.4	dBm	Note <sup>b</sup>
Receive Power (OMA)	TP3	—	—	+3.0	dBm	
Receiver Reflectance	TP3	—	—	-12	dB	
Stressed Receiver Sensitivity OMA	TP3	—	—	-5.2	dBm	Note <sup>c</sup>
Conditions of Stressed Receiver Sensitivity Test		—	—	—		Note <sup>d</sup>
Stressed Eye Closure (SEC)		—	4.3	—	dB	
Stressed Eye J2 Jitter		—	0.39	—	UI	
Stressed Eye J4 Jitter		—	0.53	—	UI	
Stressed Receiver Eye Mask Definition: X1, X2, X3, Y1, Y2, Y3		Specification Values {0.28, 0.50, 0.50, 0.33, 0.33, 0.40}				Hit ratio $5 \times 10^{-5}$ hits per sample
Parameter	Test Point*	Min.	Typ.	Max.	Units	Notes/Conditions
LOS Assert	TP3	-30	—	—	dBm,avg	
LOS Deassert	TP3	—	—	-9.1	dBm,avg	
LOS Hysteresis	TP3	0.5	—	—	dB	

- The receiver is able to tolerate, without damage, continuous exposure to a modulated optical input signal having this power level. The receiver does not have to operate correctly at this input power
- Average receive power (min.) is informative and not the principal indicator of signal strength. A received power below this value cannot be compliant; however, a value above this does not ensure compliance.
- Measured with conformance test signal at TP3 (see IEEE 802.3bm Section 95.8.8) for BER specified in IEEE 802.3bm Section 95.1.1.
- These test conditions are for measuring stressed receiver sensitivity. They are not characteristics of the receiver.

**Table 11: Transceiver Soft Diagnostic Timing Characteristics**

Parameter	Symbol	Min.	Max.	Units	Notes
Hardware TX_DISABLE Assert Time	t <sub>off</sub>		10	µs	a
Hardware TX_DISABLE Negate Time	t <sub>on</sub>		1	ms	b
Time to Initialize, Including Reset of TX_FAULT	t <sub>init</sub>		300	ms	c
Hardware TX_FAULT Assert Time	t <sub>fault</sub>		100	µs	d
Hardware TX_DISABLE to Reset	t <sub>reset</sub>	10		µs	e
Hardware RX_LOS Deassert Time	t <sub>loss_on</sub>		100	µs	f
Hardware RX_LOS Assert Time	t <sub>loss_off</sub>		100	µs	g
Hardware RATE_SELECT Change Time	t <sub>ratesel</sub>		10	µs	
Software TX_DISABLE Assert Time	t <sub>off_soft</sub>		100	ms	h
Software TX_DISABLE Negate Time	t <sub>on_soft</sub>		100	ms	i

**Table 11: Transceiver Soft Diagnostic Timing Characteristics (Continued)**

Parameter	Symbol	Min.	Max.	Units	Notes
Software Tx_FAULT Assert Time	t_fault_soft		100	ms	j
Software Rx_LOS Assert Time	t_loss_on_soft		100	ms	k
Software Rx_LOS Deassert Time	t_loss_off_soft		100	ms	l
Serial Bus Diagnostic Data Ready	t_data		1000	ms	m
Serial Bus Hardware Ready	t_serial		300	ms	n
Serial Bus Buffer Time	t_buf	20		μs	o
Complete Single or Sequential Write Up to 4 Bytes	twR		40	ms	p
Complete Sequential Write of 5 to 8 Bytes	twR		80	ms	
Serial Interface Clock Holdoff "Clock Stretching"	T_clock_hold		500	μs	q
Serial ID Clock Rate	f_serial_clock		400	kHz	r

- a. Time from rising edge of TX\_DISABLE to when the optical output falls below 10% of nominal.
- b. Time from falling edge of TX\_DISABLE to when the modulated optical output rises above 90% of nominal.
- c. Time from power on or falling edge of Tx\_Disable to when the modulated optical output rises above 90% of nominal.
- d. From occurrence of fault to assertion of TX\_FAULT.
- e. Time TX\_DISABLE must be held high to reset the laser fault shutdown circuitry.
- f. Time from loss of optical signal to Rx\_LOS Assertion.
- g. Time from valid optical signal to Rx\_LOS Deassertion.
- h. Time from two-wire interface assertion of TX\_DISABLE (A2h, byte 110, bit 6) to when the optical output falls below 10% of nominal. Measured from falling clock edge after stop bit of write transaction.
- i. Time from two-wire interface deassertion of TX\_DISABLE (A2h, byte 110, bit 6) to when the optical output rises above 90% of nominal.
- j. Time from fault to two-wire interface TX\_FAULT (A2h, byte 110, bit 2) asserted.
- k. Time for two-wire interface assertion of Rx\_LOS (A2h, byte 110, bit 1) from loss of optical signal.
- l. Time for two-wire interface deassertion of Rx\_LOS (A2h, byte 110, bit 1) from presence of valid optical signal.
- m. From power on to data ready bit asserted (A2h, byte 110, bit 0). Data ready indicates analog monitoring circuitry is functional.
- n. Time from power on until module is ready for data transmission over the serial bus (reads or writes over A0h and A2h).
- o. Time between START and STOP commands.
- p. Time from stop bit to completion of a 1 to 8 byte write command.
- q. Maximum time the SFP+ module may hold the SCL line low before continuing with a read or write operation.
- r. With a maximum clock stretch of 500 μs. A maximum of 100-kHz operation can be supported without a clock stretch.

**Table 12: Transceiver Digital Diagnostic Monitor (Real Time Sense) Characteristics**

Parameter	Symbol	Min.	Units	Notes
Transceiver Internal Temperature Accuracy	$T_{INT}$	$\pm 3.0$	$^{\circ}\text{C}$	Temperature is measured internal to the transceiver. Valid from $0^{\circ}\text{C}$ to $85^{\circ}\text{C}$ case temperature.
Transceiver Internal Supply Voltage Accuracy	$V_{INT}$	$\pm 0.1$	V	Supply voltage is measured internal to the transceiver and can, with less accuracy, be correlated to voltage at the SFP $V_{CC}$ pin. Valid over $3.3\text{V} \pm 5\%$ .
Transmitter Laser DC Bias Current Accuracy	$I_{INT}$	$\pm 10$	%	$I_{INT}$ is better than $\pm 10\%$ of the nominal value.
Transmitted Average Optical Output Power Accuracy	$P_T$	$\pm 3.0$	dB	Coupled into 50- $\mu\text{m}$ multi-mode fiber. Valid from $-8.4$ dBm to $+2.4$ dBm avg.
Received Optical Input Power Accuracy	$P_R$	$\pm 3.0$	dB	Coupled from 50- $\mu\text{m}$ multi-mode fiber. Valid from $-10.3$ dBm to $+2.4$ dBm avg.

**Table 13: EEPROM Serial ID Memory Contents – Address A0h**

Byte Number Decimal	Hex	Description	Byte Number Decimal	Hex	Description
0	03	SFP physical device	37	00	Hex Byte of Vendor OUI <sup>a</sup>
1	04	SFP function defined by serial ID only	38	17	Hex Byte of Vendor OUI <sup>a</sup>
2	07	LC optical connector	39	6A	Hex Byte of Vendor OUI <sup>a</sup>
3	00		40	41	"A" – Vendor Part Number ASCII Character
4	00		41	46	"F" – Vendor Part Number ASCII Character
5	00		42	42	"B" – Vendor Part Number ASCII Character
6	00		43	52	"R" – Vendor Part Number ASCII Character
7	00		44	2D	"-" – Vendor Part Number ASCII Character
8	00		45	37	"7" – Vendor Part Number ASCII Character
9	00		46	33	"3" – Vendor Part Number ASCII Character
10	00		47	34	"4" – Vendor Part Number ASCII Character
11	07	256B/257B (transcoded FEC-enabled data)	48	41	"A" – Vendor Part Number ASCII Character
12	FF	Greater than 25.5Gb/s (see Address 66)	49	53	"S" – Vendor Part Number ASCII Character
13	00		50	4D	"M" – Vendor Part Number ASCII Character
14	00		51	5A	"Z" – Vendor Part Number ASCII Character
15	00		52	20	" " – Vendor Part Number ASCII Character
16	00		53	20	" " – Vendor Part Number ASCII Character
17	00		54	20	" " – Vendor Part Number ASCII Character
18	0A	100m of OM4 50/125- $\mu\text{m}$ fiber at 25GbE	55	20	" " – Vendor Part Number ASCII Character
19	07	70m of OM3 50/125- $\mu\text{m}$ fiber at 25GbE	56	20	" " – Vendor Revision ASCII Character
20	41	"A" – Vendor Name ASCII Character	57	20	" " - Vendor Revision ASCII Character
21	56	"V" – Vendor Name ASCII Character	58	20	" " - Vendor Revision ASCII Character
22	41	"A" – Vendor Name ASCII Character	59	20	" " - Vendor Revision ASCII Character
23	47	"G" – Vendor Name ASCII Character	60	03	Hex Byte of Laser Wavelength <sup>b</sup>
24	4F	"O" – Vendor Name ASCII Character	61	52	Hex Byte of Laser Wavelength <sup>b</sup>
25	20	" " – Vendor Name ASCII Character	62	00	

**Table 13: EEPROM Serial ID Memory Contents – Address A0h**

Byte Number Decimal	Hex	Description	Byte Number Decimal	Hex	Description
26	20	" " – Vendor Name ASCII Character	63		Checksum for Bytes 0-62 <sup>c</sup>
27	20	" " – Vendor Name ASCII Character	64	08	CDRs present. 1W power class
28	20	" " – Vendor Name ASCII Character	65	1A	Hardware Tx_Disable, Tx_Fault, Rx_LOS
29	20	" " – Vendor Name ASCII Character	66	67	25.78 Gb/s nominal bit rate (25GbE)
30	20	" " – Vendor Name ASCII Character	67	00	
31	20	" " – Vendor Name ASCII Character	68–83		Vendor Serial Number ASCII characters <sup>d</sup>
32	20	" " – Vendor Name ASCII Character	84–91		Vendor Date Code ASCII characters <sup>e</sup>
33	20	" " – Vendor Name ASCII Character	92	68	Digital diagnostics, Internal Cal, Rx Pwr Avg
34	20	" " – Vendor Name ASCII Character	93	F0	Alarms/Warnings, Software Tx_Disable, Tx-Fault, Rx_LOS
35	20	" " – Vendor Name ASCII Character	94	08	SFF-8472 compliance to revision 12.2
36	02	25GBASE-SR	95		Checksum for Bytes 62 to 94 <sup>c</sup>
			96–255	00	

- a. The IEEE Organizationally Unique Identified (OUI) assigned to Broadcom is 00-17-6A (3 bytes of hex).
- b. Laser Wavelength is represented in 16 unsigned bits. The hex representation of 850 nm is 0352.
- c. Addresses 63 and 95 are checksums calculated (per SFF-8472 and SFF-8074) and stored prior to product shipment.
- d. Address 68–83 specify the AFBR-734ASMZ ASCII serial number and will vary on a per-unit basis.
- e. Addresses 84–91 specify the AFBR-734ASMZ ASCII data code and will vary on a per-date code basis.

**Table 14: EEPROM Serial ID Memory Contents – Enhanced SFP Memory (Address A2h)**

Byte Number Decimal	Notes	Byte Number Decimal	Notes	Byte Number Decimal	Notes
0	Temp H Alarm MSB <sup>a</sup>	26	Tx Power L Alarm MSB <sup>g</sup>	104	Real Time Rx Power MSB <sup>b</sup>
1	Temp H Alarm LSB <sup>a</sup>	27	Tx Power L Alarm LSB <sup>g</sup>	105	Real Time Rx Power LSB <sup>b</sup>
2	Temp L Alarm MSB <sup>a</sup>	28	Tx Power H Warning MSB <sup>g</sup>	106	Reserved
3	Temp L Alarm LSB <sup>a</sup>	29	Tx Power H Warning LSB <sup>g</sup>	107	Reserved
4	Temp H Warning MSB <sup>a</sup>	30	Tx Power L Warning MSB <sup>g</sup>	108	Reserved
5	Temp H Warning LSB <sup>a</sup>	31	Tx Power L Warning LSB <sup>g</sup>	109	Reserved
6	Temp L Warning MSB <sup>a</sup>	32	Rx Power H Alarm MSB <sup>b</sup>	110	Status/Control – See <a href="#">Table 15</a>
7	Temp L Warning LSB <sup>a</sup>	33	Rx Power H Alarm LSB <sup>b</sup>	111	Reserved
8	Vcc H Alarm MSB <sup>c</sup>	34	Rx Power L Alarm MSB <sup>b</sup>	112	Flag Bits – See <a href="#">Table 16</a>
9	Vcc H Alarm LSB <sup>c</sup>	35	Rx Power L Alarm LSB <sup>b</sup>	113	Flag Bits – See <a href="#">Table 16</a>
10	Vcc L Alarm MSB <sup>c</sup>	36	Rx Power H Warning MSB <sup>b</sup>	114	Tx Input EQ Control – See <a href="#">Table 19</a> , <a href="#">Table 20</a>
11	Vcc L Alarm LSB <sup>c</sup>	37	Rx Power H Warning LSB <sup>b</sup>	115	Rx Output Emphasis Control – See <a href="#">Table 21</a> , <a href="#">Table 22</a>
12	Vcc H Warning MSB <sup>c</sup>	38	Rx Power L Warning MSB <sup>b</sup>	116	Flag Bits – See <a href="#">Table 16</a>
13	Vcc H Warning LSB <sup>c</sup>	39	Rx Power L Warning LSB <sup>b</sup>	117	Flag Bits – See <a href="#">Table 16</a>
14	Vcc L Warning MSB <sup>c</sup>	40–55	Optional Alarm and Warning	118	Status/Control – See <a href="#">Table 19</a>
15	Vcc L Warning LSB <sup>c</sup>	56–94	External Calibration Constants <sup>d</sup>	119	CDR Loss of Lock Status – See <a href="#">Table 18</a>
16	Tx Bias H Alarm MSB <sup>e</sup>	95	Checksum for Bytes 0 to 94 <sup>f</sup>	120–127	Reserved
17	Tx Bias H Alarm LSB <sup>e</sup>	96	Real Time Temperature MSB <sup>a</sup>	128–247	Customer Writable
18	Tx Bias L Alarm MSB <sup>e</sup>	97	Real Time Temperature LSB <sup>a</sup>	248–255	Vendor Specific
19	Tx Bias L Alarm LSB <sup>e</sup>	98	Real Time Vcc MSB <sup>c</sup>		
20	Tx Bias H Warning MSB <sup>e</sup>	99	Real Time Vcc LSB <sup>c</sup>		
21	Tx Bias H Warning LSB <sup>e</sup>	100	Real Time Tx Bias MSB <sup>e</sup>		
22	Tx Bias L Warning MSB <sup>e</sup>	101	Real Time Tx Bias LSB <sup>e</sup>		
23	Tx Bias L Warning LSB <sup>e</sup>	102	Real Time Tx Power MSB <sup>g</sup>		
24	Tx Power H Alarm MSB <sup>g</sup>	103	Real Time Tx Power LSB <sup>g</sup>		
25	Tx Power H Alarm LSB <sup>g</sup>				

- Temperature (Temp) is decoded as a 16-bit signed two's complement integer in increments of 1/256°C.
- Received average optical power (Rx Pwr) is decoded as a 16-bit unsigned integer in increments of 0.1 μW.
- Supply Voltage (Vcc) is decoded as a 16-bit unsigned integer in increments of 100 mV.
- Bytes 56–94 are not intended for use, but have been set to default values per SFF-8472.
- Tx bias current (Tx Bias) is decoded as a 16-bit unsigned integer in increments of 2 μA.
- Byte 95 is a checksum calculated (per SFF-8472) and stored prior to product shipment.
- Transmitted average optical power (Tx Pwr) is decoded as a 16-bit unsigned integer in increments of 0.1 μW.

**Table 15: EEPROM Serial ID Memory Contents – Soft Commands (Address A2h, Byte 110)**

Bit Number	Status/Control Name	Description	Notes
7	TX_DISABLE State	Digital state of TX_DISABLE Input Pin (1 = TX_DISABLE asserted)	a
6	Soft TX_DISABLE Control	Read/write bit for changing digital state of TX_DISABLE function	a, b
5	Reserved		
4	Reserved		
3	Reserved		
2	TX_FAULT State	Digital state of TX_FAULT Output Pin (1 = TX_FAULT asserted)	a
1	RX_LOS State	Digital state of SFP RX_LOS Output Pin (1 = RX_LOS asserted)	a
0	Data Ready (Bar)	Indicates transceiver is powered and real time sense data is ready (0 = Data Ready)	

a. The response time for soft commands of the AFBR-734ASMZ is 100 ms as specified by MSA.

b. Bit 6 is logic ORed with the SFP TX\_DISABLE input pin 3 .... either asserted will disable the SFP transmitter.

**Table 16: EEPROM Serial ID Memory Contents – Alarms and Warnings (Address A2h, Bytes 112, 113, 116, 117)**

Byte	Bit	Flag Bit Name	Description
112	7	Temp High Alarm	Set when transceiver internal temperature exceeds high alarm threshold.
	6	Temp Low Alarm	Set when transceiver internal temperature exceeds low alarm threshold.
	5	Vcc High Alarm	Set when transceiver internal supply voltage exceeds high alarm threshold.
	4	Vcc Low Alarm	Set when transceiver internal supply voltage exceeds low alarm threshold.
	3	Tx Bias High Alarm	Set when transceiver laser bias current exceeds high alarm threshold.
	2	Tx Bias Low Alarm	Set when transceiver laser bias current exceeds low alarm threshold.
	1	Tx Power High Alarm	Set when transmitted average optical power exceeds high alarm threshold.
	0	Tx Power Low Alarm	Set when transmitted average optical power exceeds low alarm threshold.
113	7	Rx Power High Alarm	Set when received average optical power exceeds high alarm threshold.
	6	Rx Power Low Alarm	Set when received average optical power exceeds low alarm threshold.
	0–5	Reserved	
116	7	Temp High Warning	Set when transceiver internal temperature exceeds high warning threshold.
	6	Temp Low Warning	Set when transceiver internal temperature exceeds low warning threshold.
	5	Vcc High Warning	Set when transceiver internal supply voltage exceeds high warning threshold.
	4	Vcc Low Warning	Set when transceiver internal supply voltage exceeds low warning threshold.
	3	Tx Bias High Warning	Set when transceiver laser bias current exceeds high warning threshold.
	2	Tx Bias Low Warning	Set when transceiver laser bias current exceeds low warning threshold.
	1	Tx Power High Warning	Set when transmitted average optical power exceeds high warning threshold.
	0	Tx Power Low Warning	Set when transmitted average optical power exceeds low warning threshold.
117	7	Rx Power High Warning	Set when received average optical power exceeds high warning threshold.
	6	Rx Power Low Warning	Set when received average optical power exceeds low warning threshold.
	0–5	Reserved	



**Table 17: EEPROM Serial ID Memory Contents – Soft Commands (Address A2h, Byte 118)**

Bit Number	Status/Control Name	Description
2–7	Reserved	
1	Power Level State	Always set to zero. Value of zero indicates Power Level 1 operation (1W max.)
0	Power Level Select	Unused. This device supports power level zero (1W max.) only.

**Table 18: EEPROM Serial ID Memory Contents – CDR Loss of Lock (LOL) Status Indicators (Address A2h, Byte 119)**

Bit Number	Status/Control Name	Description
7–2	Reserved	
1	Tx CDR LOL Flag	A value of 0 indicates the CDR is locked. A value of 1 indicates CDR loss of lock.
0	Rx CDR LOL Flag	A value of 0 indicates the CDR is locked. A value of 1 indicates CDR loss of lock.

**Table 19: EEPROM Serial ID Memory Contents – Transmitter Input Electrical Equalization Control (Address A2h, Byte 114)**

Bit Number	Status/Control Name	Description
7–4	TX EQ	Selects an input equalization value per Table 9-13 of SFF-8472.
3–0	Reserved	

From Table 9-13 of SFF-8472.

**Table 20: Transmitter Input Equalization Control Values (Address A2h, Byte 114)**

Code	Transmitter Input Equalization	
	Nominal	Units
11xx	Reserved	
1011	Reserved	
1010	10	dB
1001	9	dB
1000	8	dB
0111	7	dB
0110	6	dB
0101	5	dB
0100	4	dB
0011	3	dB
0010	2	dB
0001	1	dB
0000	0	No Equalization

**Table 21: EEPROM Serial ID Memory Contents – Receiver Output Electrical Emphasis Control (Address A2h, Byte 115)**

Bit Number	Status/Control Name	Description
7–4	RX EMPH	Selects an output emphasis value per Table 9-14 of SFF-8472, RS0 = High.
3–0	Reserved	

From Table 9-14 of SFF-8472.

**Table 22: Receiver Output Emphasis Control Values (Address A2h, Byte 115)**

Code	Receiver Output Emphasis at Nominal Output Amplitude	
	Nominal	Units
1xxx	Vendor Specific	
0111	7	dB
0110	6	dB
0101	5	dB
0100	4	dB
0011	3	dB
0010	2	dB
0001	1	dB
0000	0	No Emphasis

**Figure 7: Module Drawing**

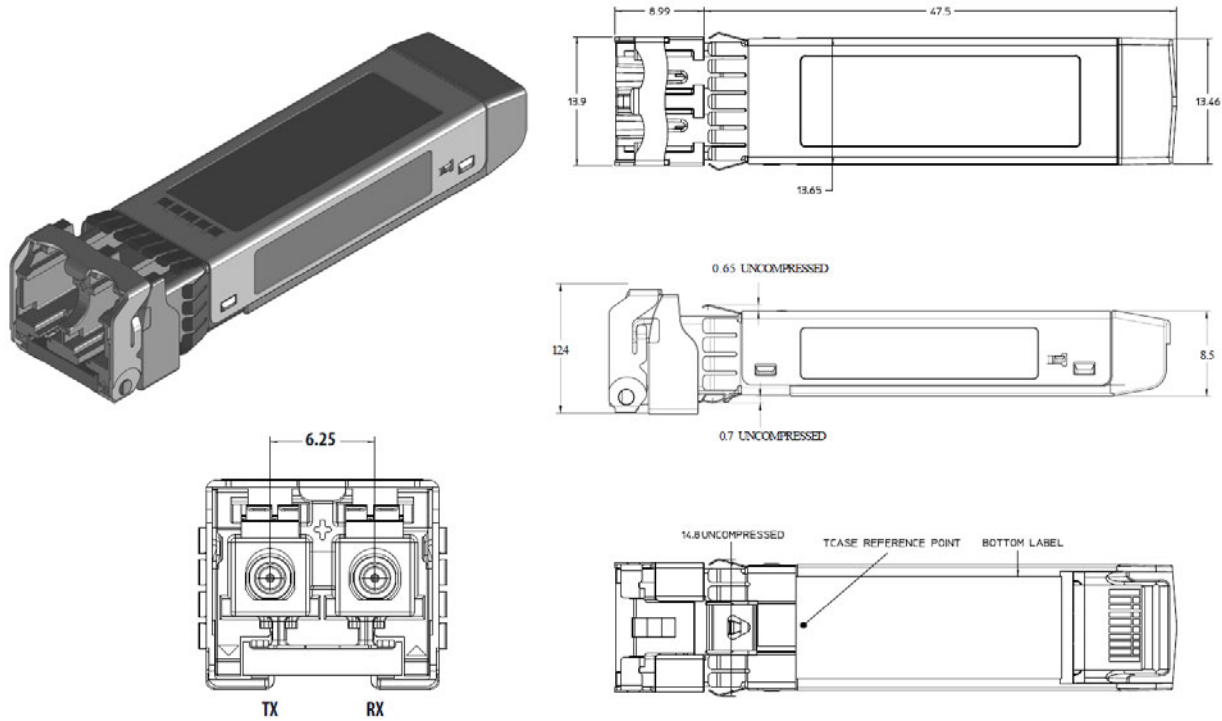


Figure 8: Module Label



## Customer Manufacturing Processes

This module is pluggable and is not designed for aqueous wash, IR reflow, or wave soldering processes.

Broadcom, the pulse logo, Connecting everything, Avago Technologies, Avago, and the A logo are among the trademarks of Broadcom and/or its affiliates in the United States, certain other countries, and/or the EU.

Copyright © 2015–2021 Broadcom. All Rights Reserved.

The term “Broadcom” refers to Broadcom Inc. and/or its subsidiaries. For more information, please visit [www.broadcom.com](http://www.broadcom.com).

Broadcom reserves the right to make changes without further notice to any products or data herein to improve reliability, function, or design. Information furnished by Broadcom is believed to be accurate and reliable. However, Broadcom does not assume any liability arising out of the application or use of this information, nor the application or use of any product or circuit described herein, neither does it convey any license under its patent rights nor the rights of others.